

# Actuated Valves and Actuators

## Type 01343 - Actuated Globe Valve



### Cryogenic-Globe Valves with Pneumatic Actuator, PN25

Stainless steel body and topwork  
 Actuator - air opens, spring closes or contrary  
 "live loaded" gland packing

#### Part No. 01343.0219.\*01\*

Butt weld connection for stainless steel pipes acc. to ISO 1127 or ASTM A312

#### Part No. 01343.0219.\*014

Socket weld connection for stainless steel pipes acc. to ISO 1127 or ASTM A312

In flow direction, the valve with the nominal size DN200 is conform to tightness class L1 up to 12 bar maximum differential pressure acc. to DIN 12567 for LNG use. This standard can also be used for the tightness class of other cryogenic gases.

Available accessories/options - on request only:

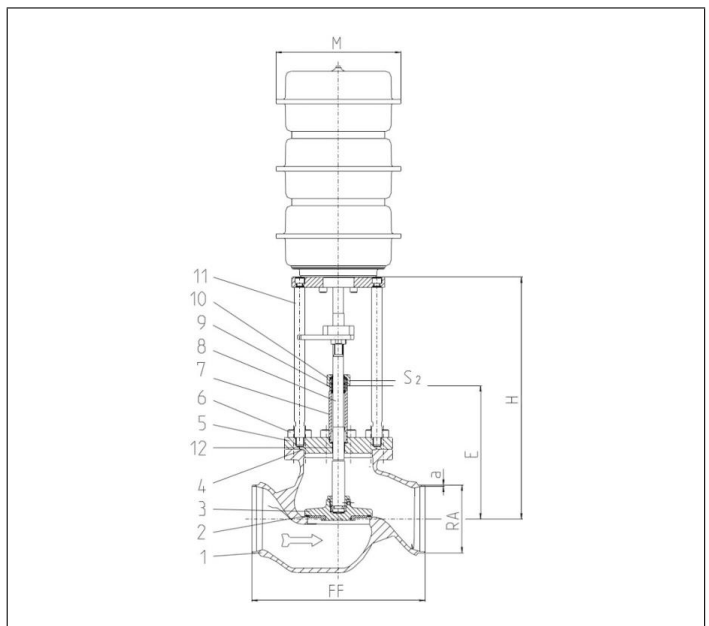
- Solenoid valve · Limit switch · Electropneumatic positioner etc.
- Welded stainless steel stubs acc. to ISO 1127 or ASTM A312
- Actuator "cleaned and degreased for oxygen service"



### Applications:

Approved for air gases, vapours and cryogenic liquefied gases incl. LNG.  
 Working temperature: -196°C / -321°F (77K) up to +120°C / +248°F (393K)

Materials	DIN EN	ASTM
1 Body	1.4308	A 351 CF8
2 Valve seal	PTFE	
3 Disc	1.4301	A 276 Grade 304
4 Bonnet gasket	PTFE	
5 Headpiece	1.4301	A 276 Grade 304
6 Bolts	1.4301/A2	A 194 B8
7 Elongation tube	1.4541	A 213 TP 321
8 Stem	1.4301	A 276 Grade 304
9 Gland packing	Graphite / PTFE / MICA	
10 Gland nut	1.1404	A 276 Grade 316L
11 Pillars	1.4571	A 313 Grade 316TI
12 Bush	CW452K	B 159 UNS C51900



Type 01343 - Standard design	Technical data	
Nominal size	DN	200
Face-to-face dimension	FF	560
Height	H	785
Length	E	410
Outside pipe-Ø ISO 1127	RA	219.1
Wall thickness pipe ISO 1127	a	6.3
Outside pipe-Ø ASTM A312	RA	219.1
Wall thickness pipe ASTM A312	a	dimensions acc. to S10 or S40
Socket depth	b	15
Actuator-Ø	M	depend on actuator
Wrench size across flats	S <sub>2</sub>	65
Weight w/o actuator	ca. kg	165.0
*Kvs-Value	m <sup>3</sup> /h	680.0
*Cv-Value	gal/min	793.0
Stroke	mm	60

Dimensions in mm. \* These figures refer to measurements for the flow direction.