

Globe Valves

Type 01420 - Top-Entry-Valve T-Model



Cryogenic-Globe Valves, PN50

Stainless steel body and topwork,
 "live loaded" gland packing
 "cleaned and degreased for oxygen service"

Part No. 01420.XYCD21 (DN15, DN25)

Part No. 01420.XYCD31 (DN40, DN50)

Available options - on request only:

- Extension H and E acc. to customer specification

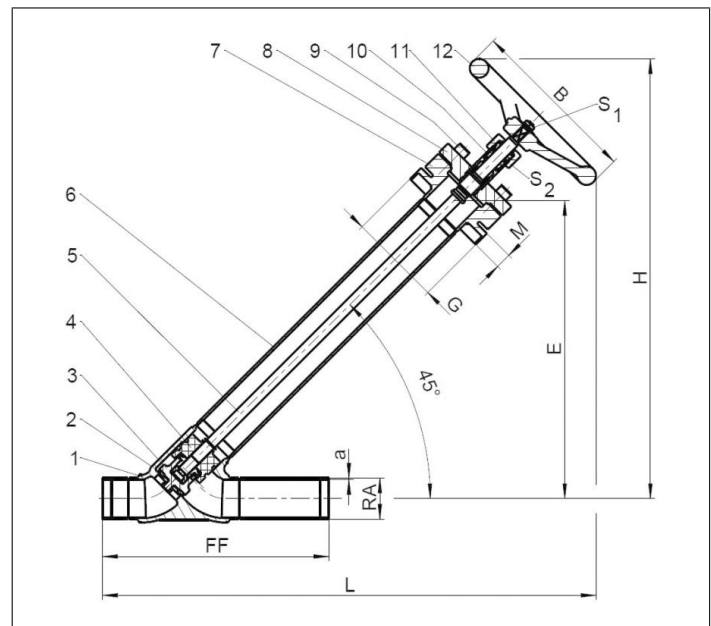


Applications:

Approved for air gases, vapours and cryogenic liquefied gases.

Working temperature: -196°C / -321°F (77K) up to +120°C / +248°F (393K)

Materials	DIN EN	ASTM
1 Body	1.4308	A 351 CF8
2 Valve seal	PCTFE	
3 Disc	1.4301	A 276 Grade 304
4 Guide bush	PTFE	
5 Stem	1.4301	A 276 Grade 304
6 Elongation tube	1.4301	A 276 Grade 304
7 Headpiece flange	1.4301	A 276 Grade 304
8 Headpiece	1.4301	A 276 Grade 304
9 Bolts	A2-70	B8
10 Gland packing	Graphite / PTFE	
11 Gland nut	1.4305	A 276 Grade 303
12 Handwheel	Aluminium alloy	



Type 01420 - T-Model	Technical data				
Nominal size	DN	15	25	40	50
Dimension code	.X.	1521	2533	4048	5060
Face-to-face dimension	FF	178	203	265	344
Height	H	395	395	516	532
Handwheel-Ø	B	100	100	200	200
Outside pipe -Ø ASTM A312	RA	21.34	33.70	48.26	60.33
Wall thickness pipe ASTM A312	a	1.6	1.6	1.6	1.6
Length	E	290	290	350	350
Length	G	68	68	109	134.5
Length	M	14	24	18.5	21.5
Length	L	442	453	578	628
Wrench size across flats	S ₁	10	10	13	13
Wrench size across flats	S ₂	27	27	32	32
Weight	ca. kg	2.4	3.0	7.6	11.5
Kvs-Value	m ³ /h	4.9	13.3	32.0	51.0
Cv-Value	gal/min	5.7	15.6	37.4	59.7

Dimensions in mm.