

Globe Valves

Type 01420 - Globe Valve



Top Entry Cryogenic-Globe Valves, PN50 (DN100=PN40)

Stainless steel body and topwork,
 "live loaded" gland packing
 "cleaned and degreased for oxygen service"

Part No. 01420.X.0*81

Butt weld connection for stainless steel pipes acc. to ISO 1127 or ASTM A312

Available options - on request only:

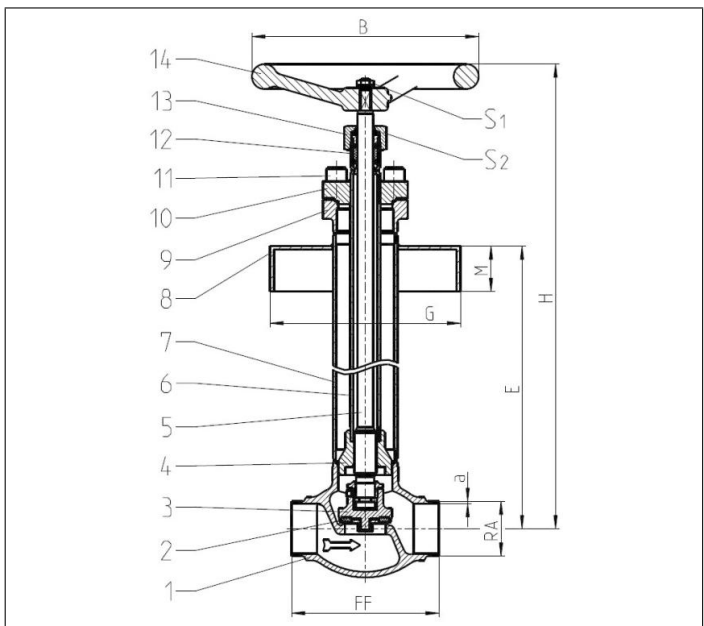
- Extension H and E acc. to customer specification
- Valve with check disc



Applications:

Approved for air gases, vapours and cryogenic liquefied gases incl. LNG.
 Working temperature: -196°C / -321°F (77K) up to +120°C / +248°F (393K)

| Materials | DIN EN | ASTM |
|-------------------------|----------------------------|------------------|
| 1 Body | 1.4308 | A 351 CF8 |
| 2 Valve seal up to DN50 | PTFE / Carbon filled (25%) | |
| 2a Valve seal from DN65 | PTFE | |
| 3 Disc | 1.4301 | A 276 Grade 304 |
| 4 Guide bush | CW453K | B 103 UNS C52100 |
| 5 Stem | 1.4301 | A 276 Grade 304 |
| 6 Elongation tube | 1.4541 | A 213 TP 321 |
| 7 Elongation tube | 1.4541 | A 213 TP 321 |
| 8 Cold box feature | 1.4301 | A 276 Grade 304 |
| 9 Headpiece flange | 1.4301 | A 276 Grade 304 |
| 10 Headpiece | 1.4301 | A 276 Grade 304 |
| 11 Bolts | 1.4301/A2 | A 193 B8 |
| 12 Gland packing | Graphite / PTFE / MICA | |
| 13 Gland nut | 1.4404 | A 276 Grade 316L |
| 14 Handwheel | Aluminium alloy | |



| Type 01420 - Standard design | Technical data | | | | | | | | | | |
|-------------------------------|-------------------|--------------------------------|-------|-------|-------|-------|-------|-------|-------|--------|--|
| Nominal size | DN | 10 | 15 | 20 | 25 | 40 | 50 | 65 | 80 | 100 | |
| Dimension code | .X. | 1013 | 1521 | 2026 | 2533 | 4048 | 5060 | 6573 | 8088 | 0114 | |
| Face-to-face dimension | FF | 70 | 85 | 100 | 115 | 130 | 155 | 205 | 245 | 280 | |
| Height | H | 690 | 690 | 690 | 690 | 710 | 780 | 790 | 840 | 960 | |
| Handwheel-Ø | B | 100 | 100 | 100 | 100 | 200 | 200 | 250 | 315 | 315 | |
| Outside pipe -Ø ASTM A312 | RA | 13.50 | 21.34 | 26.67 | 33.40 | 48.26 | 60.33 | 73.02 | 88.90 | 114.30 | |
| Wall thickness pipe ASTM A312 | a | dimensions acc. to S10 or S40 | | | | | | | | | |
| Length | A | 540 | 540 | 540 | 540 | 540 | 610 | 610 | 640 | 750 | |
| Length | G | acc. to customer specification | | | | | | | | | |
| Length | M | acc. to customer specification | | | | | | | | | |
| Wrench size across flats | S ₁ | 10 | 10 | 10 | 10 | 13 | 13 | 13 | 13 | 13 | |
| Wrench size across flats | S ₂ | 27 | 27 | 27 | 27 | 32 | 32 | 41 | 41 | 41 | |
| Weight | ca. kg | 4.0 | 4.0 | 4.8 | 5.1 | 9.1 | 11.5 | 19.6 | 26.9 | 37.4 | |
| Kvs-Value | m ³ /h | 1.6 | 4.3 | 6.7 | 11.5 | 22.6 | 37.1 | 71.1 | 104.0 | 168.0 | |
| Cv-Value | gal/min | 1.9 | 5.0 | 7.8 | 13.4 | 26.3 | 43.2 | 82.9 | 121.3 | 196.0 | |
| Stroke | mm | 11 | 12 | 12 | 12 | 15 | 19 | 23 | 25 | 30 | |

Dimensions in mm.