

Fire Safe Valves

Type 01645 - Globe Valve



Cryogenic-Globe and Globe/Check Valves, PN50

“Fire safe” type test approval acc. to EN ISO 10497

Stainless steel body and topwork, “live loaded” gland packing
“cleaned and degreased for oxygen service”

Part No. 01645.X.0011 (H = 270mm)

Part No. 01645.X.0021 (H = 370mm)

Part No. 01645.X.5011 (H = 270mm) Globe/Check Valve

Part No. 01645.X.5021 (H = 370mm) Globe/Check Valve

Female thread connection (G) acc. to ISO 228/1

Part No. 01645.X.0016 (H = 270mm)

Part No. 01645.X.0026 (H = 370mm)

Part No. 01645.X.5016 (H = 270mm) Globe/Check Valve

Part No. 01645.X.5026 (H = 370mm) Globe/Check Valve

Female thread connection NPT acc. to ANSI B 1.20.1

Available options - on request only:

- Female thread connection (R) acc. to ISO 7-Rc
- Extension H up to 900mm
- Valve with control disc (tapered design)

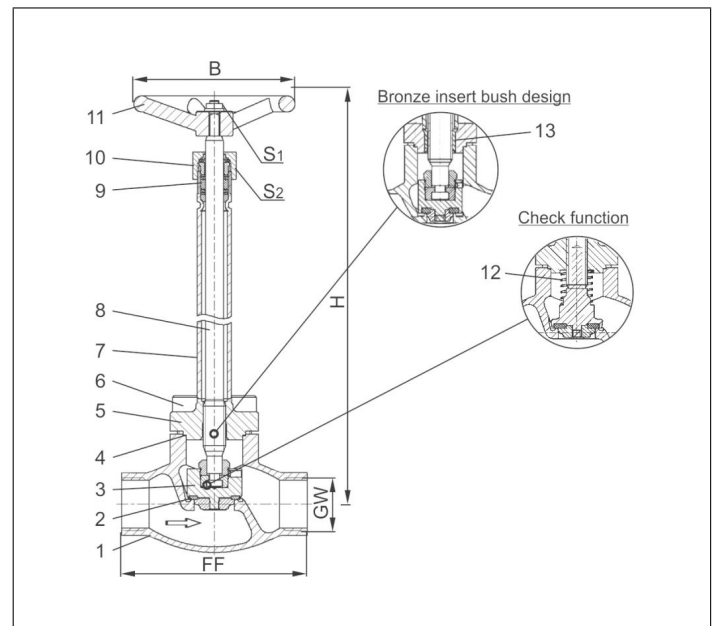
Applications:

Approved for air gases, vapours and cryogenic liquefied gases incl. LNG.

Working temperature: -196°C / -321°F (77K) up to +120°C / +248°F (393K)



| Materials | DIN EN | ASTM |
|-------------------|----------------------------|-----------------------------|
| 1 Body | 1.4308 | A 351 CF8 |
| 2 Valve seal | PTFE / Carbon filled (25%) | |
| 3 Disc | 1.4301 | A 276 Grade 304 |
| 4 Bonnet gasket | Graphite | |
| 5 Headpiece | 1.4301 / 1.4308 | A 276 Grade 304 / A 351 CF8 |
| 6 Bolts | 1.4301/A2 | A 194 B8 |
| 7 Elongation tube | 1.4541 | A 213 TP 321 |
| 8 Stem | 1.4301 | A 276 Grade 304 |
| 9 Gland packing | Graphite / PTFE / MICA | |
| 10 Gland nut | 1.4305 | A 276 Grade 303 |
| 11 Handwheel | 1.4409 | A 351 CF3M |
| 12 Spring | 1.4310 | A 313 Grade 301 |
| 13 Bush | CW452K | B 159 UNS C51900 |



| Type 01645 - Standard design | Technical data | | | | | | | | |
|------------------------------|-------------------|------------------|------|------|------|------|-------|-------|------|
| Nominal size | DN | 10 | 10 | 15 | 20 | 25 | 40 | 40 | 50 |
| Thread size | GW | 1/4 | 3/8 | 1/2 | 3/4 | 1 | 1-1/4 | 1-1/2 | 2 |
| Dimension code | .X. | 0200 | 0300 | 0400 | 0600 | 1000 | 1200 | 1400 | 2000 |
| Face-to-face dimension | FF | 70 | 70 | 85 | 100 | 115 | 130 | 130 | 155 |
| Height | H | 270 mm or 370 mm | | | | | | | |
| Handwheel-Ø | B | 100 | 100 | 100 | 100 | 100 | 125 | 125 | 125 |
| Wrench size across flats | S ₁ | 7 | 7 | 7 | 7 | 7 | 10 | 10 | 10 |
| Wrench size across flats | S ₂ | 30 | 30 | 30 | 30 | 30 | 36 | 36 | 36 |
| Weight | ca. kg | 1.4 | 1.4 | 1.7 | 2.1 | 2.4 | 4.7 | 4.7 | 7.2 |
| Kvs-Value | m ³ /h | 1.6 | 2.2 | 4.3 | 6.7 | 11.5 | 20.6 | 22.6 | 37.1 |
| Cv-Value | gal/min | 1.9 | 2.6 | 5.0 | 7.8 | 13.4 | 23.9 | 26.3 | 43.2 |

Dimensions in mm.