

Fire Safe and Offshore Valves

Type 01843 - Actuated Globe Valve



Cryogenic-Globe Valves with Pneumatic Actuator, PN50 (DN150=PN40)
“Fire safe” type test approval acc. to EN ISO 10497

Stainless steel body and topwork
 Actuator - air opens, spring closes
 “live loaded” gland packing
 “cleaned and degreased for oxygen service” - the actuator is not cleaned and degreased for oxygen

Part No. 01843.X.*01*

Butt weld connection for stainless steel pipes acc. to ISO 1127 or ASTM A312

Part No. 01843.X.*014

Socket weld connection for stainless steel pipes acc. to ISO 1127 or ASTM A312

Available accessories:

- Solenoid valve · Limit switch
- Electropneumatic positioner etc.

Available options - on request only:

- Welded stainless steel stubs acc. to ISO 1127 or ASTM A312 - length FF + 200mm
- Actuator “cleaned and degreased for oxygen service”

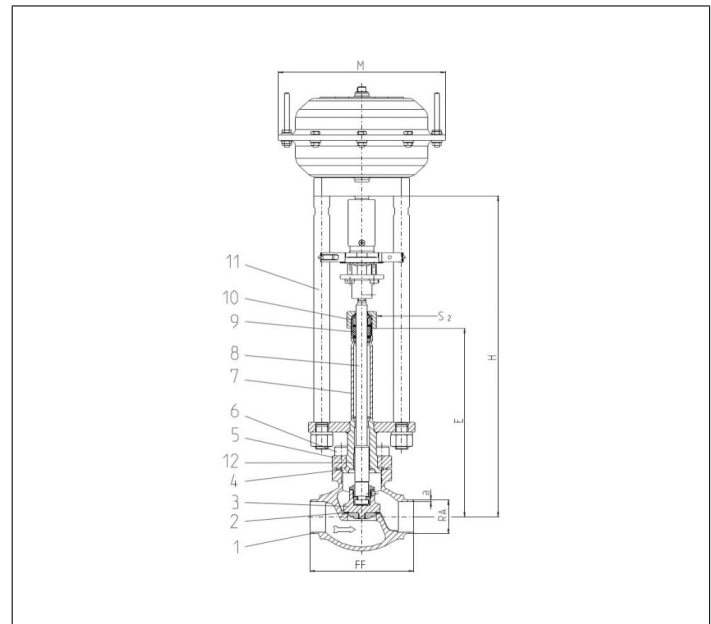


Applications:

Approved for hydrogen, air gases, vapours and cryogenic liquefied gases incl. LNG.

Working temperature: -255°C / -427°F (18K) up to +120°C / +248°F (393K)

| Materials | DIN EN | ASTM |
|-------------------|----------------------------|-------------------|
| 1 Body | 1.4409 | A 351 CF3M |
| 2 Valve seal | PTFE / Carbon filled (25%) | |
| 3 Disc | 1.4404 | A 276 Grade 316L |
| 4 Bonnet gasket | Graphite | |
| 5 Headpiece | 1.4404 | A 276 Grade 316L |
| 6 Bolts | 1.4571/A4 | similar A 194 B8T |
| 7 Elongation tube | 1.4571 | A 213 TP 316Ti |
| 8 Stem | 1.4404 | A 276 Grade 316L |
| 9 Gland packing | Graphite / PTFE / MICA | |
| 10 Gland nut | 1.4404 | A 276 Grade 316L |
| 11 Pillars | 1.4404 | A 276 Grade 316L |
| 12 Bush | CW452K | B 159 UNS C51900 |



| Type 01843 - Standard design | Technical data | | | | | | | | | | | | | | |
|-------------------------------|-------------------|-------------------------------|-------|-------|-------|-------|------|-------|-------|-------|-------|-------|-------|-------|--|
| Nominal size | DN | 10 | 15 | 15 | 20 | 25 | 32 | 40 | 40 | 50 | 65 | 80 | 100 | 150 | |
| Dimension code | .X. | 1012 | 1517 | 1521 | 2026 | 2533 | 3238 | 4042 | 4048 | 5060 | 657x | 8088 | 0114 | 0168 | |
| Face-to-face dimension | FF | 70 | 85 | 85 | 100 | 115 | 115 | 130 | 130 | 155 | 205 | 245 | 280 | 400 | |
| Height | H | 370 | 370 | 370 | 370 | 375 | 405 | 420 | 420 | 425 | 510 | 575 | 635 | 685 | |
| Length | E | 195 | 195 | 195 | 200 | 200 | 230 | 230 | 230 | 235 | 300 | 300 | 300 | 300 | |
| Outside pipe-Ø ISO 1127 | RA | 12.0 | 17.2 | 21.3 | 26.9 | 33.7 | 38.0 | 42.4 | 48.3 | 60.3 | 76.1 | 88.9 | 114.3 | 168.3 | |
| Wall thickness pipe ISO 1127 | a | 1.0 | 1.6 | 2.0 | 2.0 | 2.0 | 2.0 | 2.0 | 2.0 | 2.0 | 2.9 | 3.2 | 6.0 | 7.1 | |
| Outside pipe-Ø ASTM A312 | RA | 13.72 | 17.15 | 21.34 | 26.67 | 33.40 | - | 42.16 | 48.26 | 60.33 | 73.03 | 88.90 | 114.3 | 168.3 | |
| Wall thickness pipe ASTM A312 | a | dimensions acc. to S10 or S40 | | | | | | | | | | | | | |
| Socket depth | b | 6 | 10 | 10 | 13 | 13 | - | 13 | 13 | 16 | 16 | 16 | 20 | 20 | |
| Actuator-Ø | M | dependent on actuator | | | | | | | | | | | | | |
| Wrench size across flats | S ₂ | 30 | 30 | 30 | 30 | 30 | 36 | 36 | 36 | 36 | 36 | 36 | 41 | 41 | |
| Weight w/o actuator | ca. kg | 1.9 | 2.15 | 2.2 | 2.4 | 3.1 | 3.8 | 6.5 | 6.5 | 9.0 | 15.2 | 20.0 | 28.0 | 60.9 | |
| *Kvs-Value | m ³ /h | 1.6 | 3.8 | 4.3 | 6.7 | 11.5 | 14.0 | 20.6 | 22.6 | 37.1 | 71.1 | 104.0 | 170.0 | 350.0 | |
| *Cv-Value | gal/min | 1.9 | 4.4 | 5.0 | 7.8 | 13.4 | 16.2 | 23.9 | 26.3 | 43.2 | 82.9 | 121.3 | 198.3 | 408.4 | |
| Stroke | mm | 10 | 10 | 10 | 7 | 9 | 9 | 11 | 11 | 15 | 23 | 23 | 30 | 40 | |

Dimensions in mm. Compliance of tightness requirements acc. to EN 1626 for DN150 up to 20 bar differential pressure. In the range of >20-40 bar, 350-700ml per second (1 bar, 20°C [68°F]) are reached. * These figures refer to measurements for the flow direction.