

Fire Safe and Offshore Valves

Type 01845 - Globe Valve



Cryogenic-Globe and Globe/Check Valves, PN50
"Fire safe" type test approval acc. to EN ISO 10497

Stainless steel body and topwork,
 "live loaded" gland packing
 "cleaned and degreased for oxygen service"

Part No. 01845.X.0011 (H = 270mm)
Part No. 01845.X.0021 (H = 370mm)
Part No. 01845.X.5011 (H = 270mm) Globe/Check Valve
Part No. 01845.X.5021 (H = 370mm) Globe/Check Valve
 Female thread connection (G) acc. to ISO 228/1

Part No. 01845.X.0016 (H = 270mm)
Part No. 01845.X.0026 (H = 370mm)
Part No. 01845.X.5016 (H = 270mm) Globe/Check Valve
Part No. 01845.X.5026 (H = 370mm) Globe/Check Valve
 Female thread connection NPT acc. to ANSI B 1.20.1

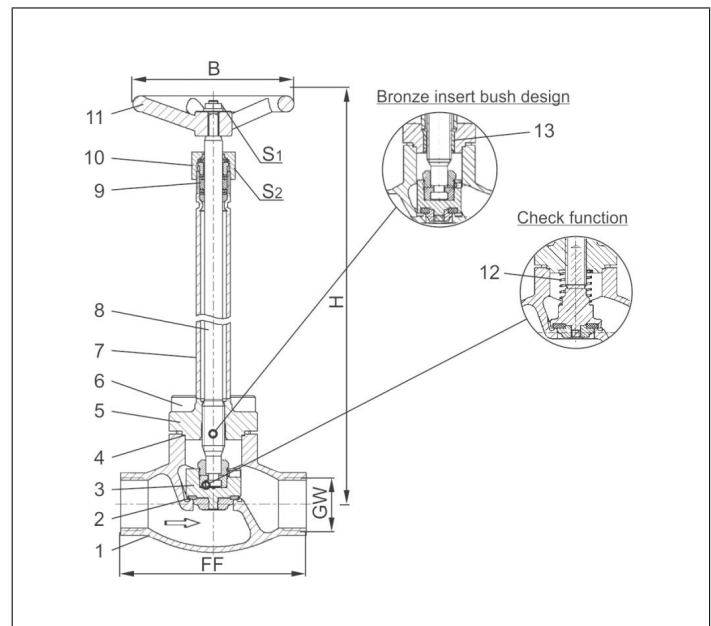
Available options - on request only:
 · Female thread connection (R) acc. to ISO 7-Rc
 · Extension H up to 900mm · Valve with control disc (tapered design)

Applications:

Approved for hydrogen, air gases, vapours and cryogenic liquefied gases incl. LNG.
 Working temperature: -255°C / -427°F (18K) up to +120°C / +248°F (393K)



Materials	DIN EN	ASTM
1 Body	1.4409	A 351 CF3M
2 Valve seal	PTFE / Carbon filled (25%)	
3 Disc	1.4404	A 276 Grade 316L
4 Bonnet gasket	Graphite	
5 Headpiece	1.4404	A 276 Grade 316L
6 Bolts	1.4571/A4	similar A 194 B8T
7 Elongation tube	1.4571	A 213 TP 316 Ti
8 Stem	1.4404	A 276 Grade 316L
9 Gland packing	Graphite / PTFE / MICA	
10 Gland nut	1.4404	A 276 Grade 316L
11 Handwheel	1.4409	A 351 CF3M
12 Spring	1.4571	A 313 Grade 316Ti
13 Bush	CW452K	B 159 UNS C51900



Type 01845 - Standard design	Technical data								
Nominal size	DN	10	10	15	20	25	40	40	50
Thread size	GW	1/4	3/8	1/2	3/4	1	1-1/4	1-1/2	2
Dimension code	.X.	0200	0300	0400	0600	1000	1200	1400	2000
Face-to-face dimension	FF	70	70	85	100	115	130	130	155
Height	H	270 mm or 370 mm							
Handwheel-Ø	B	100	100	100	100	100	125	125	125
Wrench size across flats	S ₁	7	7	7	7	7	10	10	10
Wrench size across flats	S ₂	30	30	30	30	30	36	36	36
Weight	ca. kg	1.4	1.4	1.7	2.1	2.4	4.7	4.7	7.2
Kvs-Value	m ³ /h	1.6	2.2	4.3	6.7	11.5	20.6	22.6	37.1
Cv-Value	gal/min	1.9	2.6	5.0	7.8	13.4	23.9	26.3	43.2

Dimensions in mm.