

Globe Valves

Type 03252 - Bellow Sealed Globe Valve



Cryogenic-Bellow Sealed Globe Valve, class 150

Stainless steel body and topwork,
 "live loaded" gland packing
 "cleaned and degreased for oxygen service"

Part No. 03252.X.0021

Flanged connection acc. to ASME B16.5 class 150

Available options - on request only:

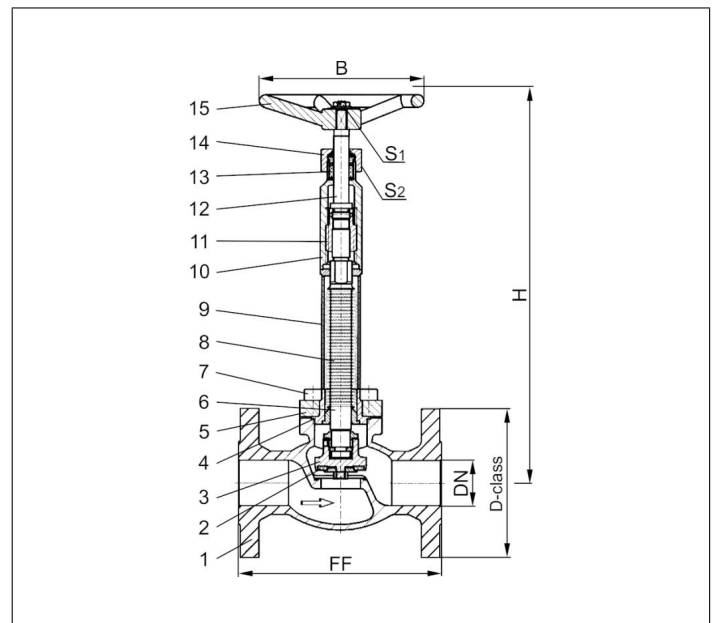
- Extension H up to 900mm
- Valve with control disc (tapered design)



Applications:

Approved for air gases, vapours and cryogenic liquefied gases incl. LNG.
 Working temperature: -196°C / -321°F (77K) up to +120°C / +248°F (393K)
 Leak rate: 10⁻⁶ mbar ltr / sec outside, 10⁻⁴ mbar ltr / sec seat

Materials	DIN EN	ASTM
1 Body	1.4308	A 351 CF8
2 Valve seal	PTFE / Carbon filled (25%)	
3 Disc	1.4301	A 276 Grade 304
4 Bonnet gasket	PTFE	
5 Headpiece	1.4301	A 276 Grade 304
6 Bellow stem	1.4571	A 276 Grade 316Ti
7 Bolts	1.4301/A2	A 194 B8
8 Bellow	1.4571	A 276 Grade 316Ti
9 Elongation tube	1.4541	A 213 TP 321
10 Headpiece	1.4301	A 276 Grade 304
11 Bush	CW452K	B 159 UNS C51900
12 Stem	1.4301	A 276 Grade 304
13 Gland packing	Graphite / PTFE / MICA	
14 Gland nut	1.4305	A 276 Grade 303
15 Handwheel	Aluminium alloy	



Type 03252 - Standard design	Technical data					
Nominal size	DN	15	20	25	40	50
Dimension code - Flange ASME B16.5 class 150	.X.	0400	0600	1000	1400	2000
Flange-Ø	D-class	90	100	110	125	150
Face-to-face dimension	FF	140	150	160	200	230
Height	H	380	380	380	380	380
Handwheel-Ø	B	150	150	150	150	150
Wrench size across flats	S ₁	7	7	7	10	10
Wrench size across flats	S ₂	30	30	30	36	36
Weight	ca. kg	3.5	5.0	5.2	10.1	13.8
Kvs-Value	m ³ /h	4.3	6.7	11.5	22.6	37.1
Cv-Value	gal/min	5.0	7.8	13.4	26.3	43.2

Dimensions in mm.