

# Globe Valves

## Type 03321 - Globe Valve, DIN EN Flanges

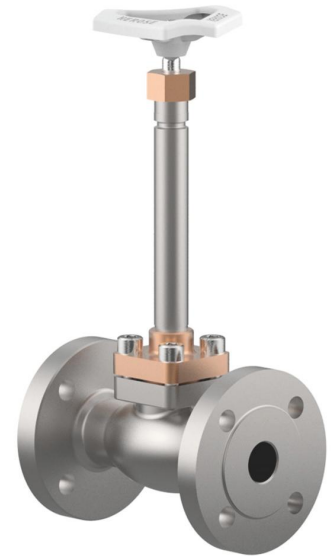


### Cryogenic-Globe and Globe/Check Valves, PN16

Stainless steel body and bronze topwork,  
 "live loaded" gland packing  
 "cleaned and degreased for oxygen service"

**Part No. 03321.X.0014 (H = 270mm)**  
**Part No. 03321.X.0024 (H = 370mm)**  
**Part No. 03321.X.5014 (H = 270mm) Globe/Check Valve**  
**Part No. 03321.X.5024 (H = 370mm) Globe/Check Valve**  
 Flanged connection acc. to DIN EN 1092-1 PN16

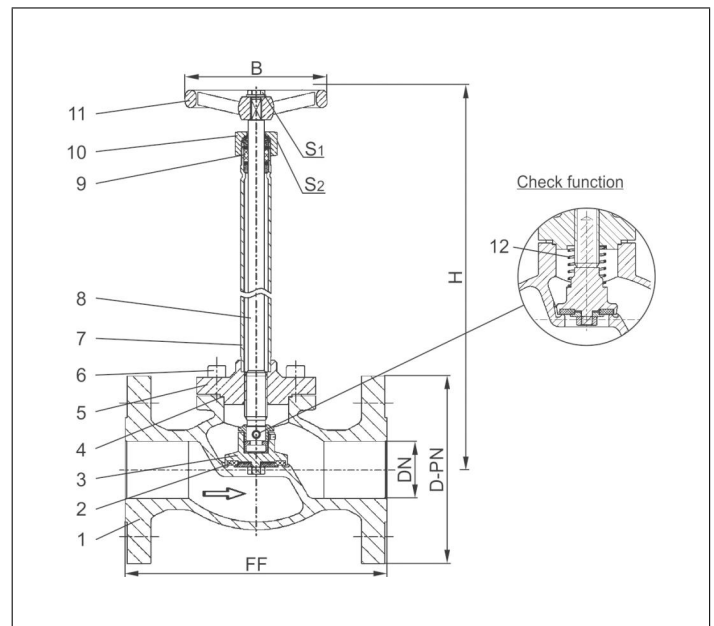
Available options - on request only:  
 · Extension H up to 900mm  
 · Valve with control disc (tapered design)



### Applications:

Approved for air gases, vapours and cryogenic liquefied gases incl. LNG.  
 Working temperature: -196°C / -321°F (77K) up to +120°C / +248°F (393K)

Materials	DIN EN	ASTM
1 Body	1.4308	A 351 CF8
2 Valve seal up to DN50	PTFE / Carbon filled (25%)	
2a Valve seal from DN65	PTFE	
3 Disc	CW614N	B 283 UNS C38500
4 Bonnet gasket	PTFE	
5 Headpiece	CC493K	B 505 UNS C93200
6 Bolts	1.4301/A2	A 194 B8
7 Elongation tube	1.4541	A 213 TP 321
8 Stem	1.4301	A 276 Grade 304
9 Gland packing	Graphite / PTFE	
10 Gland nut	CW614N	B 283 UNS C38500
11 Handwheel	Aluminium alloy	
12 Spring	CW452K	B 159 UNS C51900



Type 03321 - Standard design	Technical data										
Nominal size	DN	15	20	25	40	50	65	80	100	150	
Dimension code - Flange EN 1092-1 PN16	.X.	0150	0200	0250	0400	0500	0650	0800	1000	1500	
Flange-Ø	D-PN	95	105	115	150	165	185	200	220	285	
Face-to-face dimension	FF	140	150	160	200	230	295	310	350	510	
Height	H	270 mm or 370 mm								370	420
Handwheel-Ø	B	100	100	100	125	125	200	250	315	360	
Wrench size across flats	S <sub>1</sub>	7	7	7	10	10	10	10	12	15	
Wrench size across flats	S <sub>2</sub>	30	30	30	36	36	36	36	41	41	
Weight	ca. kg	3.0	3.5	5.0	9.0	13.0	21.0	28.0	42.0	83.0	
Kvs-Value	m <sup>3</sup> /h	4.3	6.7	11.5	22.6	37.1	71.1	104.0	170.0	350.0	
Cv-Value	gal/min	5.0	7.8	13.4	26.3	43.2	82.9	121.3	198.3	408.4	

Dimensions in mm. Compliance of tightness requirements acc. to EN 1626 for DN150 up to 20 bar differential pressure. In the range of >20-40 bar, 350-700ml per second (1 bar, 20°C [68°F]) are reached.