

Fire Safe and Offshore Valves

Type 03843 - Actuated Globe Valve



Cryogenic-Globe Valves with Pneumatic Actuator, class 150 " Fire safe " type test approval acc. to EN ISO 10497

Stainless steel body and topwork

Actuator - air opens, spring closes or vice versa

"live loaded " gland packing

"cleaned and degreased for oxygen service " - the actuator is not cleaned and degreased for oxygen

Part No. 03843.X.*011

Flanged connection acc. to ASME B16.5 class 150

Available accessories:

- Solenoid valve
- Limit switch
- Electropneumatic positioner etc.

Available options - on request only:

- Actuator - " cleaned and degreased for oxygen service "
- Electric actuator
- Valve with check disc
- Valve with control disc (tapered design)

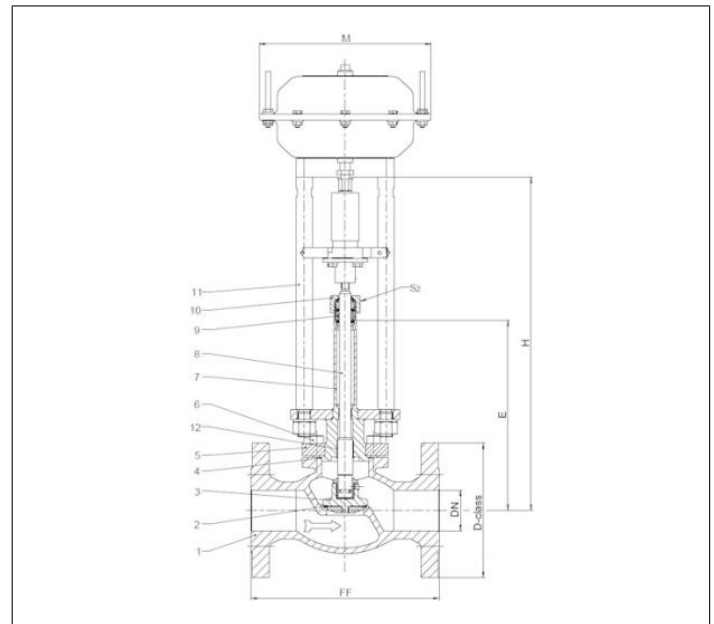


Applications:

Approved for air gases, vapours and cryogenic liquefied gases incl. LNG.

Working temperature: -255°C / -427°F (18K) up to +120°C / +248°F (393K)

| Materials | DIN EN | ASTM |
|-------------------|----------------------------|-------------------|
| 1 Body | 1.4409 | A 351 CF3M |
| 2 Valve seal | PTFE / Carbon filled (25%) | |
| 3 Disc | 1.4404 | A 276 Grade 316L |
| 4 Bonnet gasket | Graphite | |
| 5 Headpiece | 1.4404 | A 276 Grade 316L |
| 6 Bolts | 1.4571/A4 | similar A 194 B8T |
| 7 Elongation tube | 1.4571 | A 213 TP 316Ti |
| 8 Stem | 1.4404 | A 276 Grade 316L |
| 9 Gland packing | Graphite / PTFE / MICA | |
| 10 Gland nut | 1.4404 | A 276 Grade 316L |
| 11 Pillars | 1.4404 | A 276 Grade 316L |
| 12 Bush | CW452K | B 159 UNS C51900 |



| Type 03843 - Standard design | Technical data | | | | | | | | | |
|--|-------------------|-----------------------|------|------|------|------|------|-------|-------|-------|
| Nominal size | DN | 15 | 20 | 25 | 40 | 50 | 65 | 80 | 100 | 150 |
| Dimension code - Flange ASME B16.5 class 150 | .X. | 0400 | 0600 | 1000 | 1400 | 2000 | 2400 | 3000 | 4000 | 6000 |
| Flange-Ø | D-class | 90 | 100 | 110 | 125 | 150 | 180 | 190 | 230 | 280 |
| Face-to-face dimension | FF | 140 | 150 | 160 | 200 | 230 | 290 | 310 | 350 | 577 |
| Height | H | 370 | 370 | 375 | 420 | 425 | 510 | 575 | 635 | 685 |
| Length | E | 195 | 200 | 200 | 230 | 235 | 300 | 300 | 300 | 300 |
| Actuator-Ø | M | dependent on actuator | | | | | | | | |
| Wrench size across flats | S ₂ | 30 | 30 | 30 | 36 | 36 | 36 | 36 | 41 | 41 |
| Weight w/o actuator | ca. kg | 4.6 | 6.5 | 8.5 | 12.0 | 16.0 | 30.0 | 36.0 | 53.0 | 87.0 |
| *Kvs - Value | m ³ /h | 4.3 | 6.7 | 11.5 | 22.6 | 37.1 | 71.1 | 104.0 | 170.0 | 350.0 |
| *Cv - Value | gal/min | 5.0 | 7.8 | 13.4 | 26.3 | 43.2 | 82.9 | 121.3 | 198.3 | 408.4 |
| Stroke | mm | 10 | 7 | 9 | 11 | 15 | 23 | 23 | 30 | 40 |

Dimensions in mm. Compliance of tightness requirements acc. to EN 1626 for DN150 up to 20 bar differential pressure. In the range of >20-40 bar, 350-700ml per second (1 bar, 20°C [68°F]) are reached. * These figures refer to measurements for the flow direction.