

Check Valves

Type 05412 - Check Valve

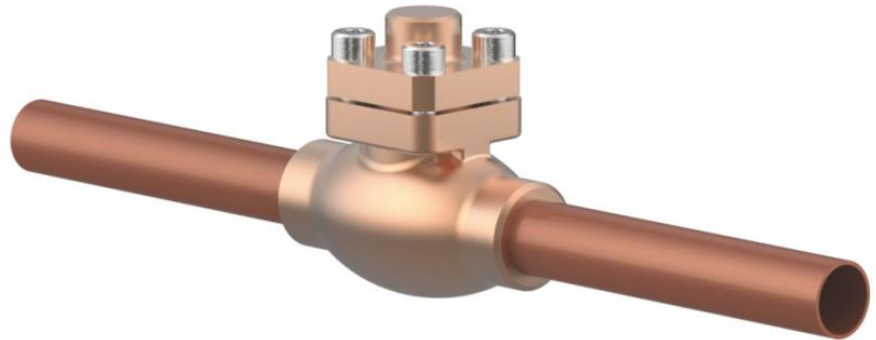


Cryogenic-Check Valves, PN50 (DN10-25), PN40 (DN32), PN35 (DN40-50)

Bronze body and cap
with spring, opening pressure ca. 0.1 bar
"cleaned and degreased for oxygen service"

Part No. 05412.X.0008

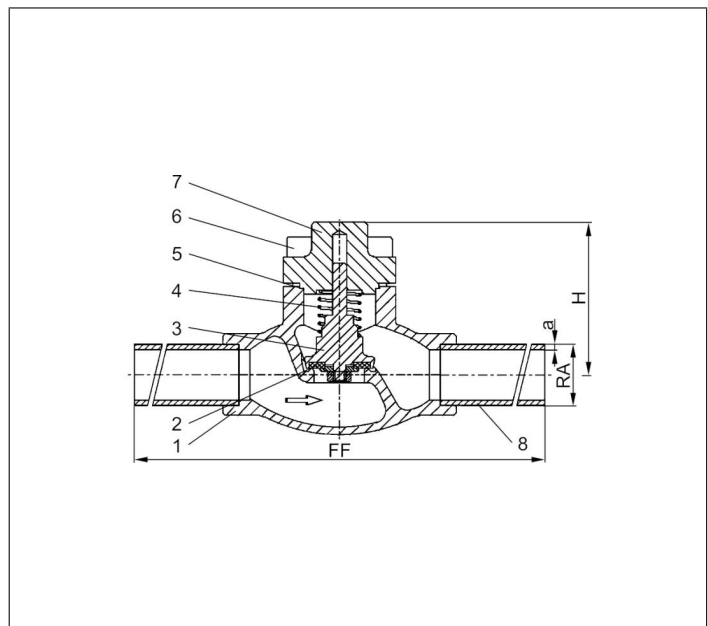
Complete with brazed copper stubs acc. to DIN EN 12449



Applications:

Approved for air gases, vapours and cryogenic liquefied gases incl. LNG.
Working temperature: -196°C / -321°F (77K) up to +120°C / +248°F (393K)

| Materials | DIN EN | ASTM |
|-----------------|----------------------------|------------------|
| 1 Body | CC491K | B 62 UNS C83600 |
| 2 Valve seal | PTFE / Carbon filled (25%) | |
| 3 Disc | CW614N | B 283 UNS C38500 |
| 4 Spring | CW452K | B 159 UNS C51900 |
| 5 Bonnet gasket | PTFE | |
| 6 Bolts | 1.4301/A2 A 194 B8 | |
| 7 Cap | CC493K | B 505 UNS C93200 |
| 8 Copper stubs | CW024A | B 152 UNS C12200 |



| Type 05412 - Standard design | Technical data | | | | | | | | |
|------------------------------|-------------------|------|------|------|------|------|------|------|------|
| Nominal size | DN | 10 | 15 | 15 | 20 | 25 | 32 | 40 | 50 |
| Dimension code | .X. | 1012 | 1515 | 1518 | 2022 | 2528 | 3235 | 4042 | 5054 |
| Face-to-face dimension | FF | 360 | 385 | 385 | 385 | 415 | 415 | 420 | 460 |
| Height | H | 71 | 71 | 71 | 72 | 75 | 87 | 95 | 95 |
| Outside pipe-Ø | RA | 12.0 | 15.0 | 18.0 | 22.0 | 28.0 | 35.0 | 42.0 | 54.0 |
| Wall thickness pipe | a | 1.0 | 1.5 | 1.5 | 1.5 | 1.5 | 1.5 | 1.5 | 2.0 |
| Weight | ca. kg | 0.8 | 1.1 | 1.1 | 1.4 | 2.0 | 2.8 | 4.5 | 6.5 |
| Kvs-Value | m ³ /h | 2.2 | 4.3 | 4.3 | 6.7 | 11.5 | 12.1 | 22.6 | 37.1 |
| Cv-Value | gal/min | 2.6 | 5.0 | 5.0 | 7.8 | 13.4 | 14.1 | 26.3 | 43.2 |

Dimensions in mm. Leakage rates will be provided on request