

Overflow Valves

Type 06001



Cryogenic Overflow Valves, angle type, bronze with elbow and silencer for noise reduction, PN40, not type tested

with adjusting device,
with carbon filled PTFE valve seal
Inlet: male thread type G (BSPP) acc. to ISO 228/1
"cleaned and degreased for oxygen service"

- Part No. 06001.0400.9001 (11.0 up to 16.0 bar)**
- Part No. 06001.0400.9002 (16.0 up to 21.0 bar)**
- Part No. 06001.0400.9003 (22.0 up to 28.0 bar)**
- Part No. 06001.0400.9004 (28.0 up to 36.0 bar)**

Available options - on request only:
· other spring ranges acc. to customer specification



Applications:

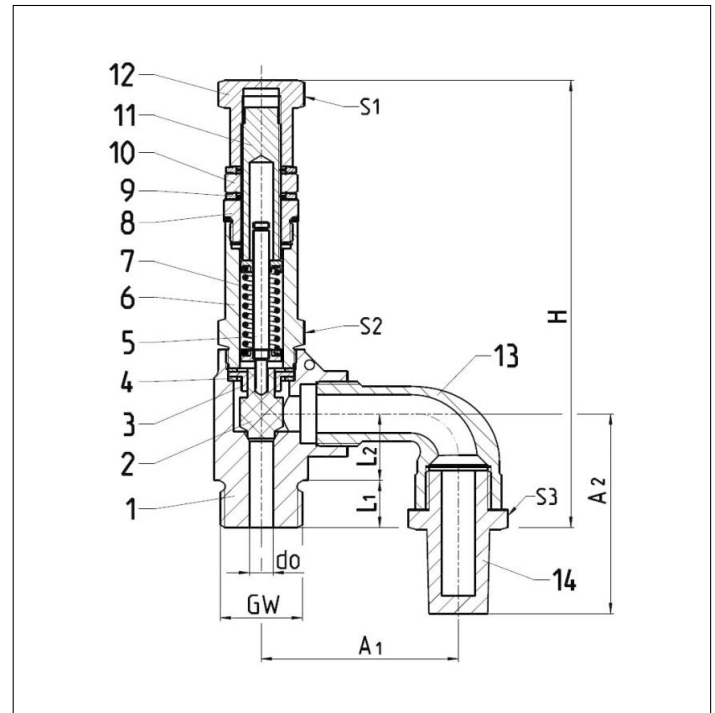
Provided as overflow valve for protection against excessive pressure in pipe systems and pressure vessels, which are not subject to approval.

Working temperature: -196°C / -321°F (77K) up to +65°C / +149°F (338K)

Materials	DIN EN	ASTM
1 Body	CW610N	B 283 UNS C36500
2 Disc	PTFE / Carbon filled (25%)	
3 Guide plate	CW614N	B 283 UNS C38500
4 Copper ring	Copper	Copper
5 Stem	CW614N	B 283 UNS C38500
6 Bonnet	CW614N	B 283 UNS C38500
7 Spring	1.4571	A 313 Grade 316Ti
8 Cap	CW614N	B 283 UNS C38500
9 Ring	FKM/V4A	
10 Nut	CW614N	B 283 UNS C38500
11 Adjusting screw	CW614N	B 283 UNS C38500
12 Closing cap	CW614N	B 283 UNS C38500
13 Elbow	CW614N	B 283 UNS C38500
14 Silencer	CC483K	B 30 UNS C90800

Important: Adjusting ranges of springs are marked with a label on the bonnet.

Not to use as equipment with safety function acc. to Pressure Equipment Directive 2014/68/EU (PED) (No CE marking).



Type 06001	Technical data	
Nominal size	GW	1/2
Orifice	d ₀	6.0
Dimension code	.X.	0400
Height	H	103
Length	L ₁	12
Length	L ₂	17
Length	A ₁	51
Wrench size across flats	S ₁	19
Wrench size across flats	S ₂	19
Wrench size across flats	S ₃	22
Weight	ca. kg	0.39

Dimensions in mm.

Overflow Valves

Type 06001



Discharge capacities

Calculation of flow rate acc. to AD2000-Merkblatt A2 / DIN EN ISO 4126-1

Medium:

Air in m³/h at 0°C and 1013.25 mbar

The capacity indicated below is for 10% pressure increase.

d₀ - orifice

A₀ - flow area

Set pressure in bar (g)	GW	1/2			
	d ₀ (mm)	6.0			
	A ₀ (mm ²)	28.3			
	Medium	Air			
Pressure range in bar	11.0 - 16.0	16.0 - 21.0	21.0 - 28.0	28.0 - 36.0	
11.0	23	-	-	-	
12.0	25	-	-	-	
13.0	27	-	-	-	
14.0	32	-	-	-	
15.0	30	-	-	-	
16.0	26	20	-	-	
17.0	-	34	-	-	
18.0	-	29	-	-	
19.0	-	24	-	-	
20.0	-	32	-	-	
21.0	-	30	30	-	
22.0	-	-	47	-	
23.0	-	-	40	-	
24.0	-	-	41	-	
25.0	-	-	50	-	
26.0	-	-	45	-	
27.0	-	-	66	-	
28.0	-	-	44	52	
29.0	-	-	-	46	
30.0	-	-	-	43	
31.0	-	-	-	49	
32.0	-	-	-	60	
33.0	-	-	-	57	
34.0	-	-	-	54	
35.0	-	-	-	74	
36.0	-	-	-	62	