

Safety Valves

Type 06002, Type 06006



Cryogenic Safety Valves, angle type, brass, PN63, type tested TÜV-SV.1048. S/G

Standard safety valve, with carbon filled PTFE valve seal

Outlet: female thread Rc 3/8 acc. to ISO 7/1, "cleaned and degreased for oxygen service"

Type 06002: drainage hole in the locking screw

Type 06006: drainage hole in bonnet

Part No. 06002.X.0000

Part No. 06006.X.0000 (with lifting device)

Inlet: male thread type R (BSPT) acc. to ISO 7/1

Part No. 06002.X.2000

Part No. 06006.X.2000 (with lifting device)

Inlet: male thread type G (BSPP) acc. to ISO 228/1

Part No. 06002.X.5000

Part No. 06006.X.5000 (with lifting device)

Inlet: male thread NPT acc. to ANSI B 1.20.1

Available options - on request only:

- with installed elbow at the outlet



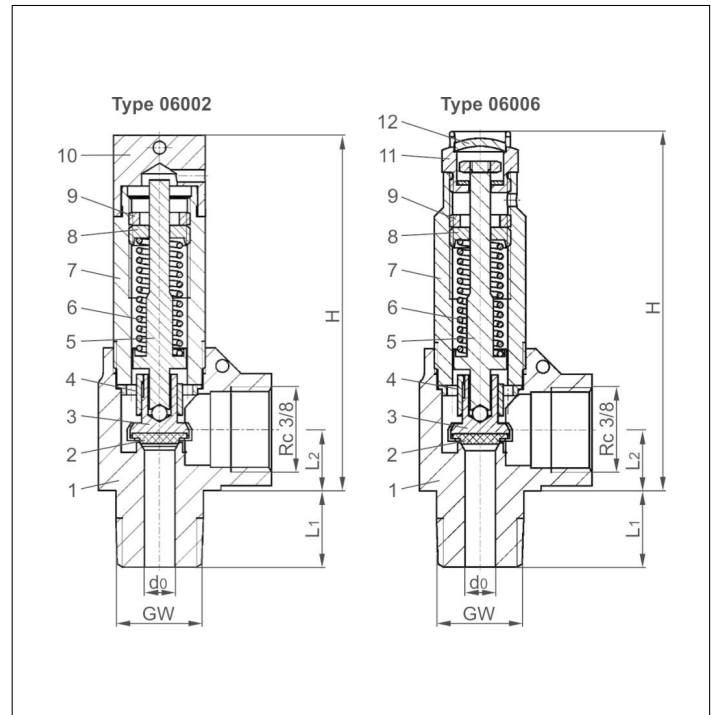
Applications:

Provided as safety device for protection against thermal expansion in pipeworks and parts of facilities.

Approved for air gases, vapours and cryogenic liquefied gases incl. LNG.

Working temperature: -196°C / -321°F (77K) up to +150°C / +302°F (423K), suitable for horizontal installation

Materials	DIN EN	ASME/ASTM
1 Body	CW617N	EN12165 CW617N Code Case 1750
2 Valve seal	PTFE / Carbon filled (25%)	
3 Disc	CW452K	B 103 UNS C51900
4 Guide plate	CC493K	SB 505 C93200
5 Stem	CW614N	EN12164 CW614N Code Case 1750
6 Spring	1.4571	A 313 Grade 316Ti
7 Bonnet	CW614N	EN12164 CW614N Code Case 1750
8 Spring clamp	CW614N	EN12164 CW614N Code Case 1750
9 Thread ring	CW614N	EN12164 CW614N Code Case 1750
10 Cap	CW614N	EN12164 CW614N Code Case 1750
11 Lifting device	CW614N	EN12164 CW614N Code Case 1750
12 Closing cap	CW507L	B 30 UNS C27000



Technical data	Type 06002				Type 06006			
	GW	1/4	3/8	1/2	1/4	3/8	1/2	
Nominal size	GW	1/4	3/8	1/2	1/4	3/8	1/2	
Orifice	d ₀	6.0	6.0	6.0	6.0	6.0	6.0	
Dimension code	.X.	0200	0300	0400	0200	0300	0400	
Set pressure range	bar	1.0-55.0	1.0-55.0	1.0-55.0	1.0-55.0	1.0-55.0	1.0-55.0	
Height	H	70	70	70	72	72	72	
Length	L ₁	13	15	17	13	15	17	
Length	L ₂	13	13	13	13	13	13	
Weight	ca. kg	0.185	0.20	0.22	0.18	0.195	0.21	
Coeff. of discharge from 3.0 bar	α _w	0.42	0.42	0.42	0.42	0.42	0.42	

Dimensions in mm.

Safety Valves

Type 06002, Type 06006



Discharge capacities

Medium:

Air in m³/h at 0°C and 1013.25 mbar

Air in SCFM at 60°F (15.6°C) and 14.7 psia (1013.25 mbar)

The capacity indicated below is for a fully opened valve.

d₀ - orifice

A₀ - flow area

Calculation of discharge capacity acc. to AD2000-Merkblatt A2 / DIN EN ISO 4126-1 resp. ASME Code Sec. VIII.

Set pressure in bar (g)	GW	1/4, 3/8 & 1/2
	d ₀ (mm)	6.0
	A ₀ (mm ²)	28.3
	Medium	Air in m ³ /h
1.0		15
2.0		26
3.0		35
4.0		44
5.0		53
6.0		62
7.0		71
8.0		80
9.0		89
10.0		98
12.0		116
14.0		134
16.0		152
18.0		170
20.0		190
22.0		208
24.0		226
26.0		244
28.0		262
30.0		283
32.0		301
34.0		320
36.0		338
38.0		356
40.0		378
42.0		396
44.0		415
46.0		433
48.0		452
50.0		474
52.0		493
54.0		511
55.0		521

Set pressure in psig	GW	1/4, 3/8 & 1/2
	d ₀ (inch)	0.236
	A ₀ (in ²)	0.044
	Medium	Air in SCFM
72		32
80		35
90		38
100		42
110		46
120		49
130		53
140		57
150		61
160		64
170		68
180		72
190		75
200		79
225		88
250		98
275		107
300		116
325		125
350		135
375		144
400		153
425		163
450		172
475		181
500		190
525		200
550		209
575		218
600		227
625		237
650		246
675		255
700		264
725		274
750		283
775		292
798		301