

# Changeover Valves

## Type 06401 - Changeover Valve DN15



### Cryogenic Changeover Valves, stainless steel, PN160

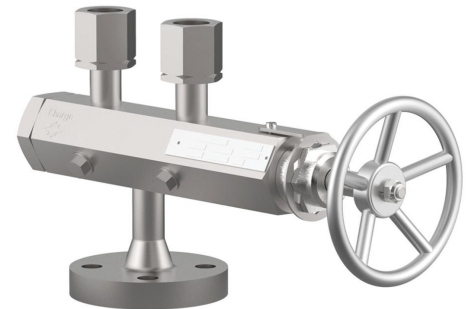
for the installation of two safety valves,  
with two test connections G 1/4,  
"cleaned and degreased for oxygen service"

#### Part No. 06401.0150.9029

Inlet: Flange, DN15, PN 160  
Outlet: locking sleeve G 3/4

#### Part No. 06401.0150.9\*\*\*

\*\*\* Changeover valves with other flanges for vessel connection  
and threaded connection for safety valves on request



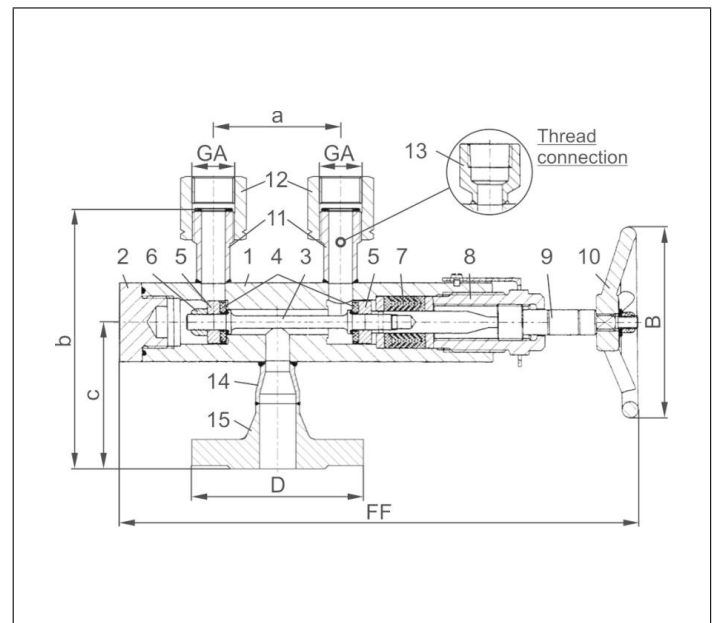
Available options - on request only:

- Changeover valves with pneumatic or electric actuator
- Outlet GA with female thread (G) acc. to ISO 228/1
- Outlet GA with female thread NPT acc. to ANSI B 1.20.1
- Outlet GA with flanged connections

### Applications:

Approved for air gases, vapours and cryogenic liquefied gases incl. LNG.  
Working temperature: -196°C / -321°F (77K) up to +185°C / +365°F (458K)

Materials	DIN EN	ASTM
1 Body	1.4571	A 276 Grade 316Ti
2 Plug	1.4571	A 276 Grade 316Ti
3 Disc stem	1.4571	A 276 Grade 316Ti
4 Valve seal	PTFE / Carbon filled (25%)	
5 Disc	1.4571	A 276 Grade 316Ti
6 Disc nut	1.4301/A2	A 194 B8
7 Gland packing	PTFE / Carbon filled (25%)	
8 Head piece	CW452K nickel plated	B 159 UNS C51900 nickel plated
9 Stem	1.4571	A 276 Grade 316Ti
10 Handwheel	Aluminium alloy	
11 Welding piece	1.4571	A 276 Grade 316Ti
12 Locking sleeve	1.4571	A 276 Grade 316Ti
13 Thread connection	1.4571	A 276 Grade 316Ti
14 Adapter	1.4571	A 276 Grade 316Ti
15 Flange	1.4571	A 276 Grade 316Ti



Type 06401 - Standard design	Technical data	
<b>Nominal size</b>	<b>DN</b>	<b>15</b>
Flange diameter	D	105
Outlet	GA	G 3/4
Face-to-face dimension	FF	325
Handwheel-Ø	B	120
Length	a	80
Height	b	170
Length	c	100
Weight	ca. kg	6.0
Kvs - Value, one side open	m <sup>3</sup> /h	4.0
Cv - Value, one side open	gal /min	4.6
Kvs - Valve, central position	m <sup>3</sup> /h	5.8
Cv - Valve, central position	gal /min	6.7

Dimensions in mm.