

Changeover Valves

Type 06510 - Diverter Valve



Cryogenic Diverter Valves, bronze, PN50

for the installation of two safety valves,
provided for bursting disc connections,
"cleaned and degreased for oxygen service"

Part No. 06510.X.0120

Female thread connection (G) acc. to ISO 228/1

Part No. 06510.X.6000

Female thread connection NPT acc. to ANSI B 1.20.1

Available Options - on request only:

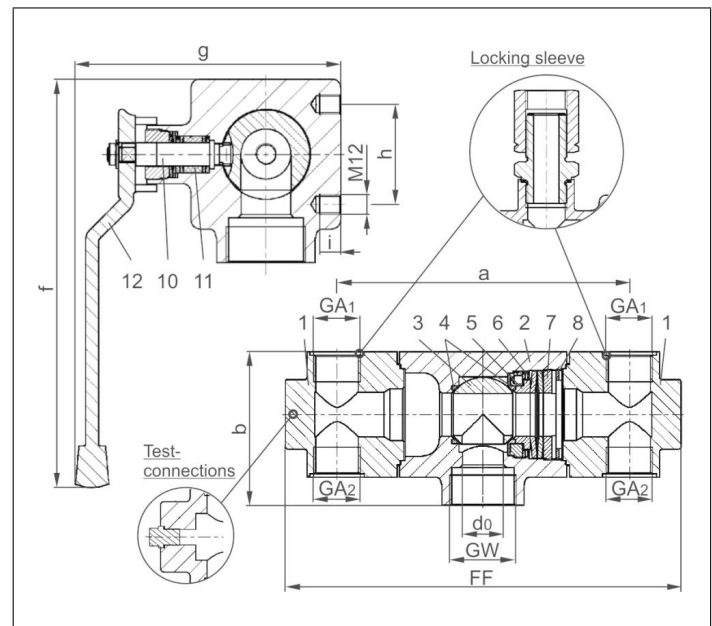
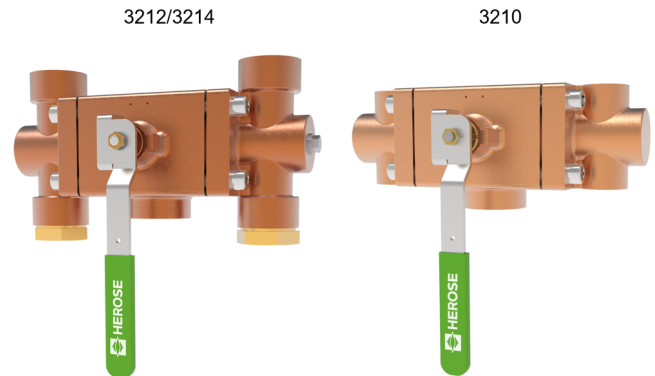
- Inlet with union type braze or butt weld fitting
- Two extra test connections 1/4" edgeways
- Outlet GA₁ with installed locking sleeve for easy positioning of safety valves
- Combination of different outlet threads GA₁ - GA₂
- **Safety lock (Part No. 55394.0049.0765)**

Applications:

Approved for air gases, vapours and cryogenic liquefied gases incl. LNG.

Working temperature: -196°C / -321°F (77K) up to +120°C / +248°F (393K)

Materials	DIN EN	ASTM
1 Body I	CC491K	B 62 UNS C83600
2 Body II	CC491K	B 62 UNS C83600
3 Ball	1.4571	A 276 Grade 316Ti
4 Seat rings	PCTFE	
5 Bush	CW614N	B 283 UNS C38500
6 Spring plates	1.4571	A 313 Grade 316Ti
7 Spring clamp	CW614N	B 283 UNS C38500
8 Thread ring	CW614N	B 283 UNS C38500
10 Stem	1.4301	A 276 Grade 304
11 Gland packing	Graphit / PTFE	
12 Lever	CC491K	B 62 UNS C83600



Type 06510 - Standard design	Technical data			
Nominal size	DN	32	32	32
Dimension code	.X.	3210	3212	3214
Flow diameter	d ₀	30	30	30
Inlet	GW	1-1/2	1-1/2	1-1/2
Outlet	GA ₁	1	1-1/4	1-1/2
Outlet	GA ₂	1	1-1/4	1-1/2
Face-to-face dimension	FF	300	284	284
Length	a	210	210	210
Height	b	110	145	145
Length	f	245	245	245
Length	g	160	160	160
Length	h	60	60	60
Thread depth	i	12.5	12.5	12.5
Weight	ca. kg	12.2	13.5	13.5
Kvs - Value, one side open	m ³ /h	15.0	15.0	15.0
Cv - Value, one side open	gal /min	17.4	17.4	17.4
Kvs - Value, both sides open	m ³ /h	27.0	27.0	27.0
Cv - Value, both sides open	gal /min	31.4	31.4	31.4

Dimensions in mm.

Important:

The valves must be fixed at the provided threads M12.

Spare part kit for lever replacement:

For Change-over Valves 0651X, there is a spare part kit available for replacing the lever (also suitable for versions before 07/2024).
DN20 30320.0200.0783
DN32 30320.0320.0783