

Strainers

Type 08411 - Strainer



Cryogenic-Strainer, PN50

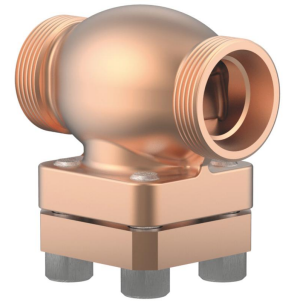
Bronze body and cap
with strainer screen mesh size 0.25 mm
"cleaned and degreased for oxygen service"

Part No. 08411.X.0001

Male thread for union connection

Available options - on request only:

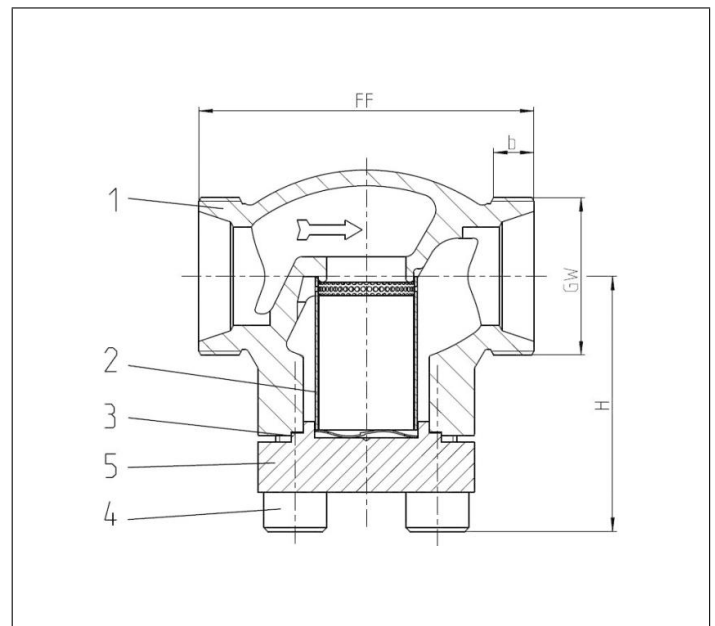
- other mesh sizes for strainer screen (changed flow coefficient)
- strainer screen in bronze or monel
- sintered filter in bronze or stainless steel in various porosities



Applications:

Approved for air gases, vapours and cryogenic liquefied gases incl. LNG.
Working temperature: -196°C / -321°F (77K) up to +120°C / +248°F (393K)

| Materials | DIN EN | ASTM |
|-------------------|-----------|------------------|
| 1 Body | CC491K | B 62 UNS C83600 |
| 2 Strainer screen | 1.4301 | A 240 Grade 304 |
| 3 Bonnet gasket | PTFE | |
| 4 Bolts | 1.4301/A2 | A 194 B8 |
| 5 Cap | CC493K | B 505 UNS C93200 |



| Type 08411 - Standard design | Technical data | | | | | |
|------------------------------|-------------------|---------|---------|---------|---------|---------|
| Nominal size | DN | 10 | 20 | 32 | 40 | 50 |
| Dimension code | .X. | 0100 | 0200 | 0320 | 0400 | 0500 |
| Face-to-face dimension | FF | 60 | 85 | 115 | 140 | 160 |
| Height | H | 62 | 65 | 76 | 89 | 89 |
| Union thread | GW | M26x1.5 | M40x2.0 | M55x2.0 | M65x2.0 | M78x2.0 |
| Thread length | b | 10 | 11 | 14 | 17 | 20 |
| Weight | ca. kg | 0.6 | 0.9 | 1.8 | 3.1 | 4.7 |
| Kvs - Value | m ³ /h | 1.5 | 6.5 | 14.0 | 21.0 | 28.0 |
| Cv - Value | gal/min | 1.7 | 7.5 | 16.2 | 24.3 | 32.4 |

Dimensions in mm.