

Strainers

Type 08431 - Strainer, DIN EN Flanges



Cryogenic-Strainer, PN40

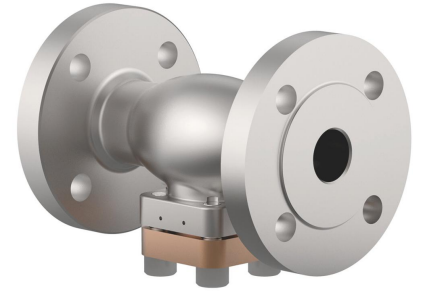
Stainless steel body and bronze cap
with strainer screen mesh size 0.25 mm
"cleaned and degreased for oxygen service"

Part No. 08431.X.0002

Flanged connection acc. to DIN EN 1092-1 PN40

Available options - on request only:

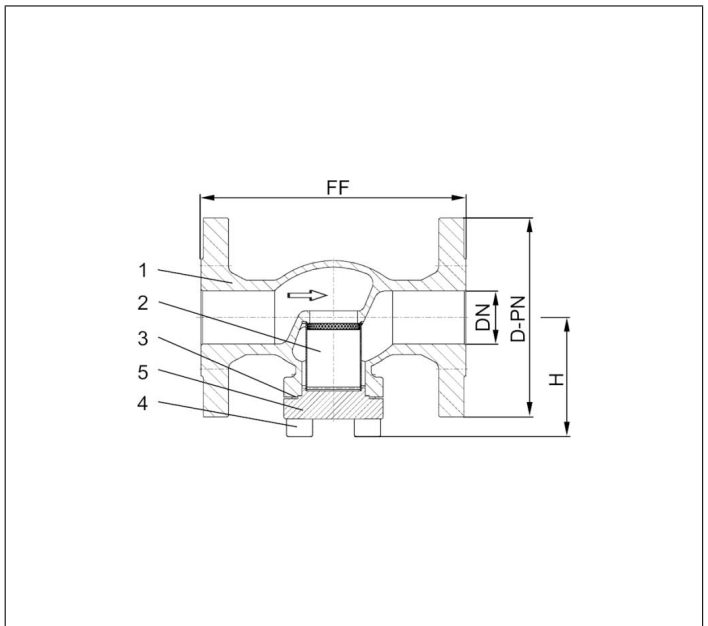
- other mesh sizes for strainer screen (changed flow coefficient)
- strainer screen in bronze or monel
- sintered filter in bronze or stainless steel in various porosities



Applications:

Approved for air gases, vapours and cryogenic liquefied gases incl. LNG.
Working temperature: -196°C / -321°F (77K) up to +120°C / +248°F (393K)

| Materials | DIN EN | ASTM |
|-------------------|-----------|------------------|
| 1 Body | 1.4308 | A 351 CF8 |
| 2 Strainer screen | 1.4301 | A 240 Grade 304 |
| 3 Bonnet gasket | PTFE | |
| 4 Bolts | 1.4301/A2 | A 194 B8 |
| 5 Cap | CC493K | B 505 UNS C93200 |



| Type 08431 - Standard design | Technical data | | | | | | | | | |
|--|-------------------|------|------|------|------|------|------|-------|-------|------------|
| Nominal size | DN | 15 | 20 | 25 | 40 | 50 | 65 | 80 | 100 | 150 |
| Dimension code - Flange EN 1092-1 PN40 | .X. | 0150 | 0200 | 0250 | 0400 | 0500 | 0650 | 0800 | 1000 | 1500 |
| Flange-Ø | D-PN | 95 | 105 | 115 | 150 | 165 | 185 | 200 | 235 | 300 |
| Face-to-face dimension | FF | 140 | 150 | 160 | 200 | 230 | 290 | 310 | 350 | 550 |
| Height | H | 62 | 69 | 69 | 89 | 89 | 125 | 150 | 166 | 212 |
| Weight | ca. kg | 2.5 | 3.0 | 4.0 | 8.1 | 10.6 | 17.7 | 23.2 | 36.8 | 68.1 |
| Kvs-Value | m ³ /h | 4.3 | 6.7 | 9.5 | 21.0 | 28.0 | 62.0 | 90.0 | 118.0 | on request |
| Cv-Value | gal/min | 5.0 | 7.8 | 11.0 | 24.3 | 32.4 | 72.3 | 105.0 | 137.7 | on request |

Dimensions in mm.