

Offshore Valves

Type 08717 - Strainer



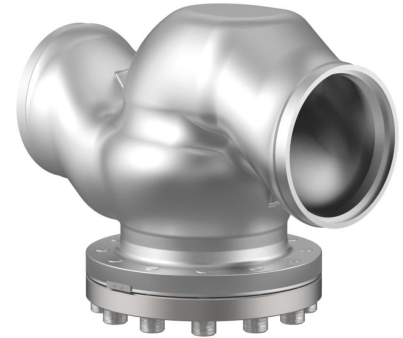
Cryogenic-Strainer, PN25

Stainless steel body and cap
with strainer screen mesh size 0.25 mm

Part-No. 08717.X.0004

Socket weld connection for stainless steel pipes acc. to ISO 1127 oder ASTM A312

Available options - on request only

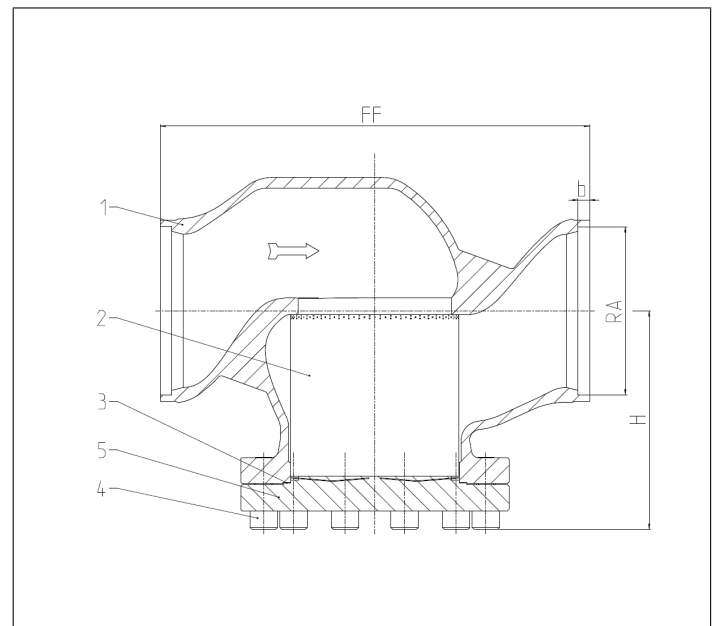


Applications:

Approved for hydrogen, air gases, vapours and cryogenic liquefied gases incl. LNG.

Working temperature: -255°C / -427°F (18K) up to +120°C / +248°F (393K)

Materials	DIN EN	ASTM
1 Body	1.4409	A 351 CF3M
2 Strainer screen	1.4409	A 351 CF3M
3 Bonnet gasket	Graphite	
4 Bolts	A4-80	A 194 B8
5 Cap	1.4404	A 276 Grade 316L



Type 08717 - Standard design	Technical data	
Nominal size	DN	200
Dimension code	.X.	0219
Face-to-face dimension	FF	560
Height	H	285
Outside pipe-Ø ISO 1127	RA	219,1
Wall thickness pipe ISO 1127	a	6,3
Outside pipe-Ø ASTM A312	RA	219,1
Wall thickness pipe ASTM A312	a	dimensions acc. to S10 or S40
Socket depth	b	15
Weight	ca. kg	100
Kvs-Value	m ³ /h	468
Cv-Value	gal/min	541,1

Dimensions in mm.