

Gate Valves

Type 09345 - Gate valve



Cryogenic-Gate Valves, PN50

Stainless steel body and topwork,
 one way tightening (in flow direction),
 "live loaded" gland packing
 "cleaned and degreased for oxygen service"

Working pressure: 5 - 50 bar, Leakage rate A acc. to DIN EN 12266
 Working pressure: 0.7 - 4.9 bar, Leakage rate B acc. to DIN EN 12266

Part No. 09345.X.0011*

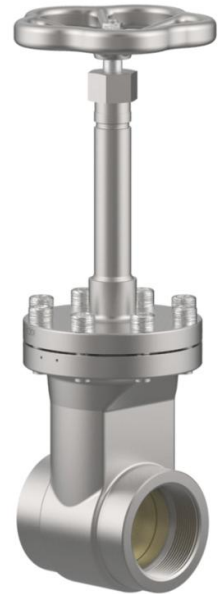
Female thread connection (G) acc. to ISO 228/1

Part No. 09345.X.0015

Female thread connection (R) acc. to ISO 7-Rc

Part No. 09345.X.0016

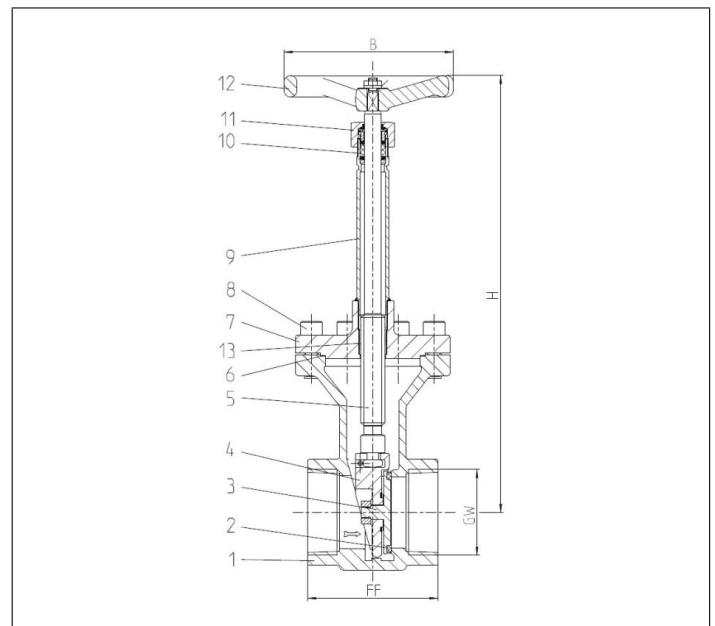
Female thread connection (NPT) acc. to ANSI 1.20.1



Applications:

Approved for air gases, vapours and cryogenic liquefied gases incl. LNG.
 Working temperature: -196°C / -321°F (77K) up to +120°C / +248°F (393K)

Materials	DIN EN	ASTM
1 Body	1.4308	A 351 CF8
2 Valve seal	PTFE / Carbon filled (25%)	
3 Disc	CW614N	B 283 UNS C38500
4 Wedge	1.4308	A 351 CF8
5 Stem	1.4301	A 276 Grade 304
6 Bonnet gasket	PTFE	
7 Headpiece	1.4308	A 351 CF8
8 Bolts	1.4301/A2	A 194 B8
9 Elongation tube	1.4541	A 213 TP 321
10 Gland packing	Graphite / PTFE / MICA	
11 Gland nut	1.4305	A 276 Grade 303
12 Handwheel	Aluminium alloy	
13 Bush	CW452K	B 159 UNS C51900



Type 09345 - Standard design	Technical data				
Nominal size	DN	25	40	50	65
Thread size	GW	1	1-1/2	2	2-1/2
Dimension code	.X.	1000	1400	2000	2400
Face-to-face dimension	FF	133	133	110	110
Height	H	330	360	410	440
Handwheel-Ø	B	125	125	150	150
Weight	ca. kg	3.3	4.8	7.5	8.6
Kvs - Value	m ³ /h	43	93	125	227
Cv - Value	gal/min	51	111	149	264

Dimensions in mm.