

# Spare Parts for Valves and Fill Cluster

## Type 11C01 - Globe Valve FullX



Top-Entry Cryogenic-Globe Valves - Bellow in top position, Fire Safe Design

"cleaned and degreased for oxygen service"

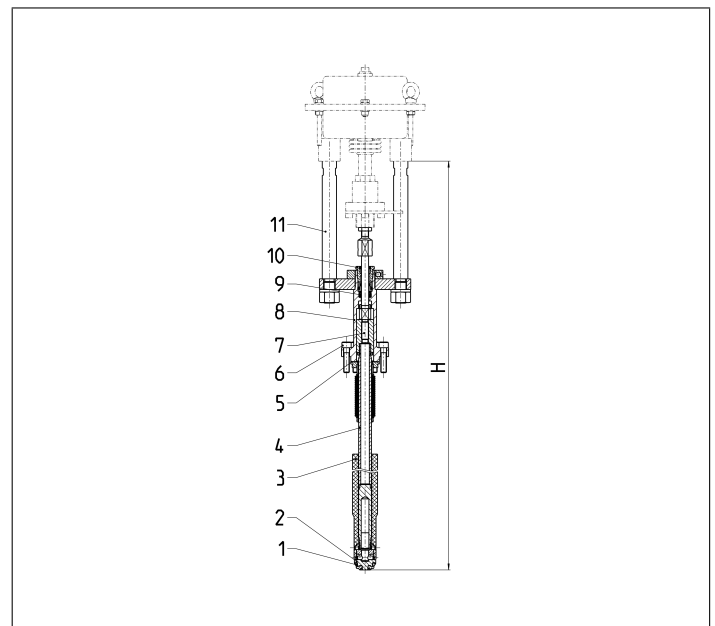
Part No. 11C01.X.E0030X - actuator (diaphragm)



suitable for:

Type	Nominal size
11C01.001X.E00306	DN10 - DN15
11C01.002X.E00305	DN20 - DN25
11C01.3240.E00306	DN32 - DN40
11C01.0050.E00306	DN50

Materials	DIN EN	ASTM
1 Valve seal	PTFE / Electrocarbon (25%)	
2 Disc	1.4571	A 313 Grade 316Ti
3 Bushing	PTFE / Electrocarbon (25%)	
4 Hollow stem	1.4571	A 313 Grade TP316Ti
5 Bonnet gasket	PTFE	
6 Bolts	A4-70	A 194 B8M
7 Stem	1.4404	A 276 Grade 316L
8 Headpiece	1.4404	A 276 Grade 316L
9 Valve Seal	PTFE / Electrocarbon (25%)	
10 Gland bold	1.4404	A 276 Grade 316L
11 Pillar	1.4404	A 276 Grade 316L



Type 11C01	Technical data							
Nominal size	DN	10	15	20	25	32	40	50
Dimension code	.X.	001X	001X	002X	002X	3240	3240	0050
Height	H	661	661	665	665	803	803	923
Handwheel-Ø	B	100	100	100	100	125	125	125
Weight	ca. kg	3.6	3.6	3.7	3.7	9.1	9.1	11.7

Dimensions in mm.