

Spare Parts for Valves and Fill Cluster

Type 11C01 - Globe Valve FullX



Sealing spare part kit – without bellow & bellow top position
 "cleaned and degreased for oxygen service"

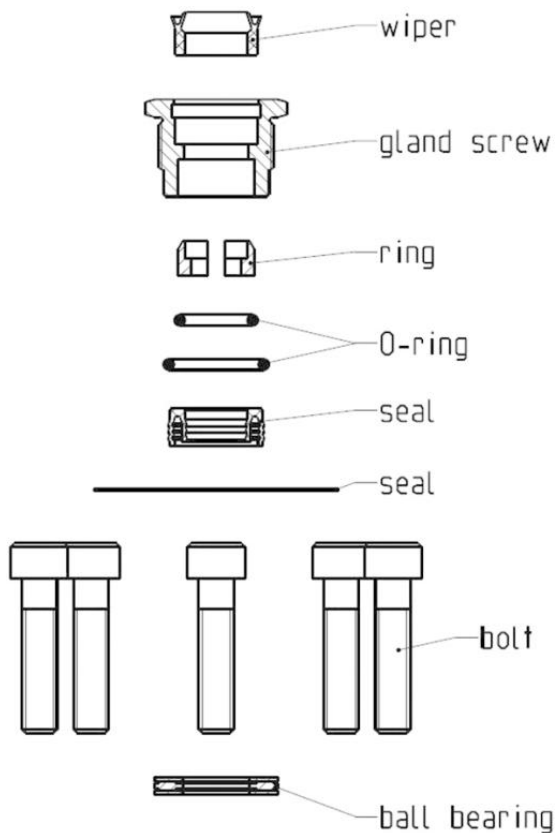
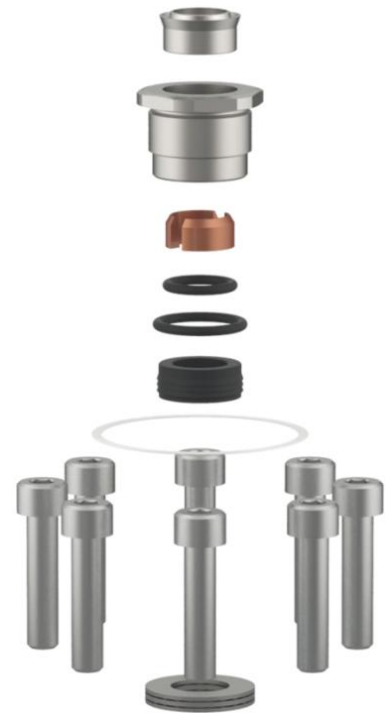
consisting of:

- 1x wiper PEEK
- 1x gland bold 1.4404
- 1x stem ring CW452K
- 2x O-ring FPM
- 1x gasket PTFE / 25% Carbon filled
- 6x bonnet gasket PTFE
- 6x or 8x bolt A4
- 1x ball bearing 1.4125

Part No. 11C01.00XX.E00101

suitable for:

| Type | Nominal size |
|-------------------|--------------|
| 11C01.0000.E00103 | DN10 - DN25 |
| 11C01.3240.E00101 | DN32 - DN40 |
| 11C01.0050.E00101 | DN50 |



| Type 11C01 | Technical data | | | | | | | | |
|----------------|----------------|------|------|------|------|------|------|------|--|
| Nominal size | DN | 10 | 15 | 20 | 25 | 32 | 40 | 50 | |
| Dimension code | .X. | 0000 | 0000 | 0000 | 0000 | 3240 | 3240 | 0050 | |
| Weight | ca. kg | 0.14 | 0.14 | 0.14 | 0.14 | 0.24 | 0.24 | 0.28 | |

Dimensions in mm.