

# Spare Parts for Valves and Fill Cluster

## Type 11C01 - Globe Valve FullX



### Sealing spare part kit – bellow bottom position

"cleaned and degreased for oxygen service"

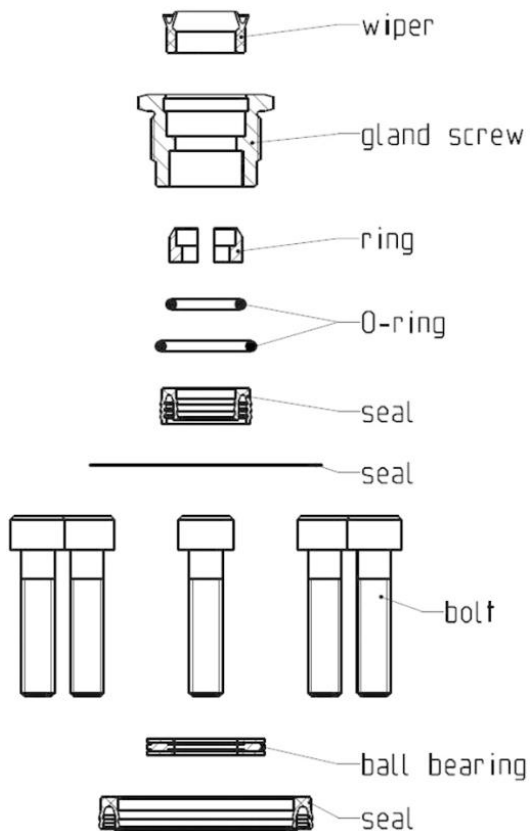
consisting of:

- 1x wiper PEEK
- 1x gland bolt 1.4404
- 1x stem ring CW452K
- 2x O-ring FPM
- 2x gasket PTFE / 25% Carbon filled
- 6x bonnet gasket PTFE
- 6x or 8x bolt A4
- 1x ball bearing 1.4125

**Part No. 11C01.00XX.E00102**

suitable for:

Type	Nominal size
11C01.0000.E00104	DN10 - DN25
11C01.3240.E00102	DN32 - DN40
11C01.0050.E00102	DN50



Type 11C01	Technical data								
Nominal size	DN	10	15	20	25	32	40	50	
Dimension code	.X.	0000	0000	0000	0000	3240	3240	0050	
Weight	ca. kg	0.14	0.14	0.14	0.14	0.25	0.25	0.29	

Dimensions in mm.