

Spare Parts for Valves and Fill Cluster

Type 11C01 - Globe Valve FullX



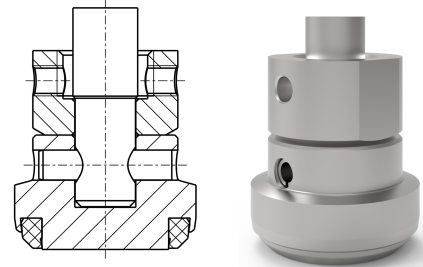
Disc
for Cryogenic-Globe Valves
stainless steel disc 1.4571

"cleaned and degreased for oxygen service"

Part No. 11C01.00XX.E00501 - bellow bottom position
Part No. 11C01.00XX.E00503 - without bellow and top position

suitable for:

Type	Nominal size
11C01.001X.E0050X	DN10 - DN15
11C01.002X.E0050X	DN20 - DN25
11C01.3240.E0050X	DN32 - DN40
11C01.0050.E0050X	DN50



Type 11C01.00XX.E0050X	Technical data							
Nominal size	DN	10	15	20	25	32	40	50
Dimension code	.X.	001X	001X	002X	002X	3240	3240	0050
Weight	ca. kg	0.17	0.17	0.23	0.23	0.46	0.46	0.59

Dimensions in mm.

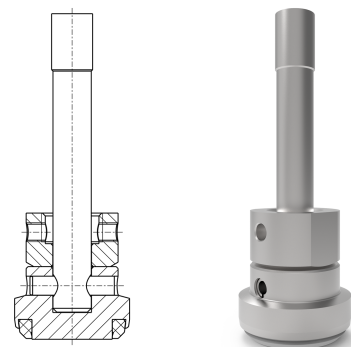
Check Disc
for Cryogenic-Globe Valves
stainless steel check disc 1.4301

"cleaned and degreased for oxygen service"

Part No. 11C01.00XX.E00502 - bellow bottom position
Part No. 11C01.00XX.E00504 - without bellow and bellow top position

suitable for:

Type	Nominal size
11C01.001X.E0050X	DN10 - DN15
11C01.002X.E0050X	DN20 - DN25
11C01.3240.E0050X	DN32 - DN40
11C01.0050.E0050X	DN50



Type 11C01.00XX.E0050X	Technical data							
Nominal size	DN	10	15	20	25	32	40	50
Dimension code	.X.	001X	001X	002X	002X	3240	3240	0050
Weight	ca. kg	0.20	0.20	0.25	0.25	0.50	0.50	0.62

Dimensions in mm.