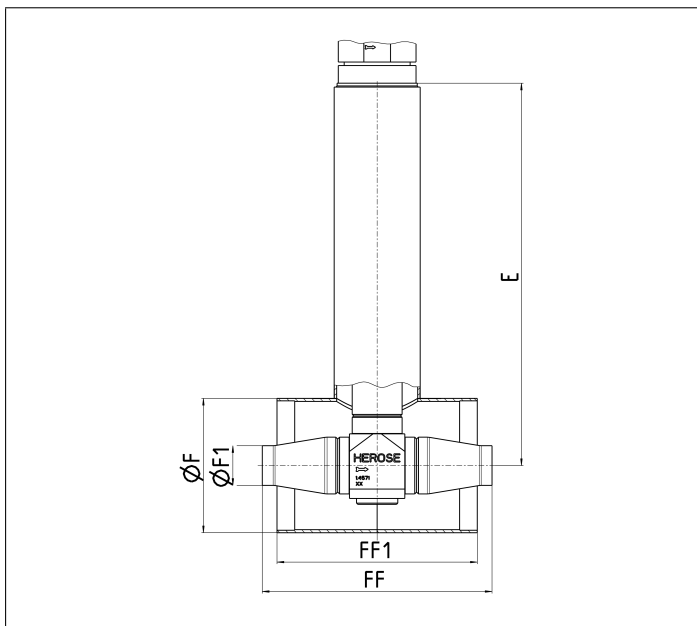


Spare Parts for Valves and Fill Cluster Typ 11C01 - Absperrventil FullX

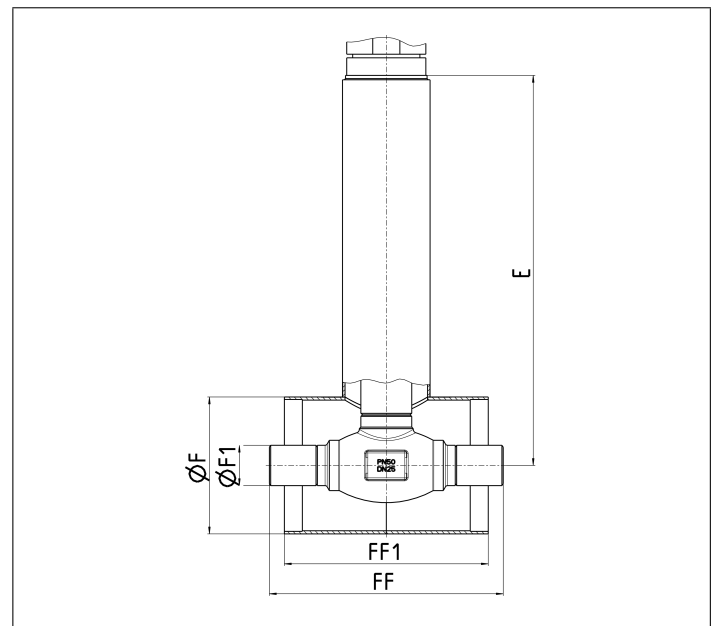


Option vacuum jacketing (1.4404)

- on request only:
- Additional length vacuum jacketing
- Additional body types



Series A001 / A009



Series A002 / A010



Nominal size	DN	10	15	20	25	32	40	50
Length	E	325	325	325	325	445	445	525
Length vacuum jacketing	FF1	125	125	170	170	210	210	255
Face-to-face dim.	FF	150	150	195	195	235	235	280
Pipe-Ø ISO	F1	Ø17,2x1,8	Ø21,3x2	Ø26,9x2,3	Ø33,7x2,6	Ø42,4x2,6	Ø48,3x2,6	Ø60,3x2,6
Pipe-Ø ASTM	F1	3/8"S10 (A001) 1/4"S10 (A002)	1/2"S10	3/4"S10	1"S10	1 1/4"S10	1 1/2"S10	2"S10
Vacuum jacketing-Ø ISO	F	Ø88,9x2	Ø88,9x2	Ø114,3x2	Ø114,3x2	-	-	Ø168,3x2,6
Vacuum jacketing-Ø ASTM	F	3"S5	3"S5	4"S5	4"S5	5"S5	5"S5	6"S5

Dimensions in mm.