

Actuated Valves and Actuators

Type 27511 - Pneumatic Actuator - Control Valve



Pneumatic Actuators for Control Valves

Actuator - air to open, **spring to close**

maximum air pressure for operation 6.0 bar g

Actuator coating outside - Epoxy resin

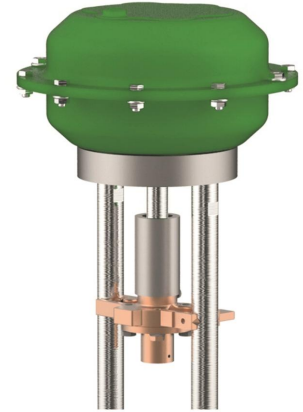
Available options - on request only:

- Pneumatic actuator with override handwheel

Ambient temperature limit: -20°C / -4°F (253K) up to +80°C / 176°F (353K)

Overview - required actuator sizes for differential pressures

| DN | Differential pressure in bar | | | | | | | | | | | | | | | |
|-----|------------------------------|-----|-----|-----|------|------|------|------|------|------|------|------|------|------|------|-------------------|
| | 1.0 | 2.1 | 4.1 | 6.1 | 8.1 | 10.1 | 12.1 | 15.1 | 17.1 | 19.1 | 22.1 | 25.1 | 29.1 | 35.1 | 39.1 | 42.1 |
| | 2.0 | 4.0 | 6.0 | 8.0 | 10.0 | 12.0 | 15.0 | 17.0 | 19.0 | 22.0 | 25.0 | 29.0 | 35.0 | 39.0 | 42.0 | 50.0 |
| 10 | A | A | A | A | A | A | A | A | A | A | A | A | A | A | A | A |
| 15 | A | A | A | A | A | A | A | A | A | A | A | A | A | A | A | A |
| 20 | A | A | A | A | A | A | A | A | A | A | A | B | B | B | B | B |
| 25 | A | A | A | A | A | A | A | A | A | B | B | B | B | B | B | C |
| 32 | B | B | B | B | B | B | B | B | B | B | C | C | C | C | C | C |
| 40 | B | B | B | B | B | B | B | C | C | C | C | C | C | C | D | D |
| 50 | B | B | B | B | B | C | C | C | C | C | C | D | D | E | E | E |
| 65 | C | C | C | C | C | C | D | E | E | E | E | E | F | F | F | G |
| 80 | C | C | C | D | E | E | E | E | F | F | F | F | G | G | | o.r. |
| 100 | C | C | D | E | E | F | F | F | F | G | G | | | | | o.r. - on request |
| 150 | D | E | F | F | G | | | | | | | | | | | o.r. - on request |

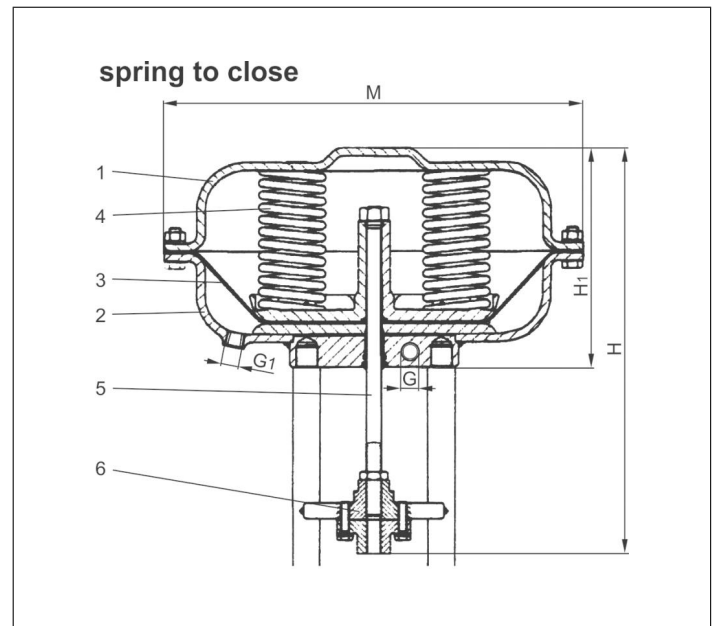


The differential pressures are based on the flow direction of the valve.

Differential pressures against the flow direction have to be requested separately.

| Code in Table | Part No. | Actuator |
|---------------|-----------------|----------|
| A | 27511.15A6.3SPO | |
| B | 27511.35B6.6GPO | |
| C | 27511.60A6.6GPO | |
| D | 27511.60C6.7GPO | |
| E | 27511.75B6.3DPO | |
| F | 27511.75B6.5DPO | |
| G | 27511.75B6.7DPO | |

| Materials | DIN EN | ASTM |
|-----------------|--------|------------------|
| 1 Body | 1.0333 | A 619 Grade 1008 |
| 2 Body | 1.0333 | A 619 Grade 1008 |
| 3 Diaphragm | NBR | |
| 4 Springs | 1.1200 | A 576 Grade 1045 |
| 5 Actuator stem | 1.4301 | A 276 Grade 304 |
| 6 Coupling | CC333G | B 148 UNS C95800 |



| Type 27511 | | Technical data | | | | | | |
|----------------------|-----------------|------------------------------|------------|------------|------------|------------|------------|------------|
| Part No. | Actuator | 27511 | | | | | | |
| | | .15A6.3SPO | .35B6.6GPO | .60A6.6GPO | .60C6.7GPO | .75B6.3DPO | .75B6.5DPO | .75B6.7DPO |
| Diameter Actuator | M | 162 | 210 | 310 | 310 | 430 | 430 | 430 |
| Height | H | 256 | 276 | 309 | 352 | 353 | 353 | 353 |
| Height | H1 | 116 | 136 | 166 | 186 | 234 | 234 | 234 |
| Thread | G | G1/8" with Ermeto-Fitting L8 | - | - | - | - | - | - |
| Thread | G1 | - | 1/4" NPT | 1/4" NPT | 1/4" NPT | 1/4" NPT | 1/4" NPT | 1/4" NPT |
| Diaphragm area | cm ² | 120 | 280 | 530 | 530 | 1000 | 1000 | 1000 |
| Spring range | bar | 0.9 - 2.0 | 0.8 - 3.0 | 0.8 - 2.8 | 0.7 - 3.0 | 0.7 - 2.1 | 1.2 - 3.4 | 1.6 - 4.7 |
| Minimum air pressure | bar | 2.2 | 3.2 | 3.0 | 3.2 | 2.3 | 3.6 | 4.9 |
| Regulating lift | mm | 20 | 35 | 40 | 60 | 60 | 60 | 60 |
| Weight | ca. kg | 3.0 | 5.0 | 12.5 | 14.0 | 37.0 | 39.0 | 41.0 |

Dimensions in mm.