



Pneumatic Actuators for Control Valves

Actuator - **spring to open**, air to close

Air supply - maximum 6.0 bar g

Body - stainless steel (1.4571) electropolished

"cleaned and degreased for oxygen service"

Ambient temperature limit: -40°C / -40°F (233K) up to +80°C / 176°F (353K)



Overview - required actuator sizes for differential pressures

DN	Differential pressure in bar									
	1.0	5.1	13.1	15.1	21.1	23.1	29.1	34.1	37.1	
	5.0	13.0	15.0	21.0	23.0	29.0	34.0	37.0	50.0	
10	B	B	B	B	B	B	B	B	B	B
15	B	B	B	B	B	B	B	B	B	B
20	B	B	B	B	B	B	B	B	B	B
25	B	B	B	B	B	B	B	B	B	B
32	B	B	B	B	B	B	B	B	B	C
40	B	B	B	B	B	B	B	C	C	
50	C	C	C	C	C	C	C	C	C	C
65	C	C	C	C	C	C	o.r. - on request			
80	C	C	C	C	o.r. - on request					
100	C	C	o.r. - on request							
150	o.r. - on request									

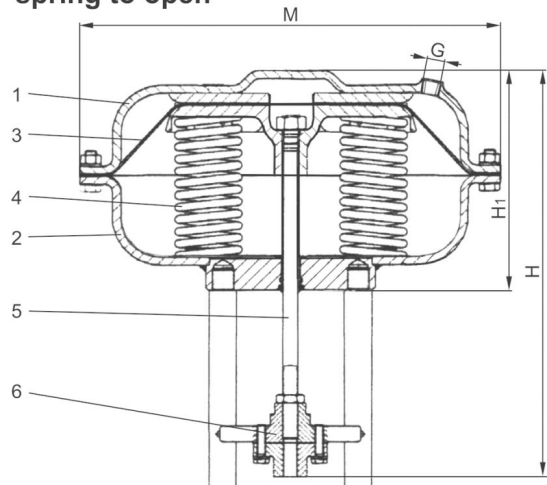
The differential pressures are based on the flow direction of the valve.

Differential pressures against the flow direction have to be requested separately.

Code in Table	Part No.	Actuator
B	27522.35B6.6GPS	
C	27522.60A6.6GPS	

Materials	DIN EN	ASTM
1 Body	1.4571	A 240 Grade 316Ti
2 Body	1.4571	A 240 Grade 316Ti
3 Diaphragm	EPDM	
4 Springs	Cr.Si-Leg.*	
5 Actuator stem	1.4571	A 276 Grade 316Ti
6 Coupling	1.4571	A 240 Grade 316Ti
* Coating:	material is corrosion resistant (Microcor Spezial) corrosion protection class C5-M	

spring to open



Type 27522	Technical data		
Part No. Actuator	27522		
	.35B6.6GPS	.60A6.6GPS	
Diameter Actuator	M	210	310
Height	H	276	309
Height	H1	136	166
Thread	G	1/4" NPT	1/4" NPT
Diaphragm area	cm ²	280	530
Spring rage	bar	0.8 - 3.0	0.8 - 2.8
Minimum air pressure	bar	6.0	6.0
Regulating lift	mm	35	40
Weight	ca. kg	5.0	12.5

Dimensions in mm.