

Pressure Regulator

Type 4186-3 - CombiPressure-Regulator



Cryogenic-Pressure Regulator, stainless steel, PN50

Set point range from 2.0 up to 38.0 bar

Connections: male thread for union connection, BSPP (G) or M thread

Cleaning Standard: " cleaned and degreased for oxygen service "

complete with installed strainer screens - mesh size 0.25 mm - on connection A and B

Part No. 4186.X.3100* Set point range 2.0 up to 10.0 bar
set at 8.0 bar unless otherwise noted on purchase order

Part No. 4186.X.3200* Set point range 8.0 up to 22.0 bar
set at 12.0 bar unless otherwise noted on purchase order

Part No. 4186.X.3300* Set point range 20.0 up to 38.0 bar
set at 20.0 bar unless otherwise noted on purchase order

*connection C: 1 = M thread (cone connection 37°), 2 = BSPP (G) thread (cone connection 60°)

Available options - on request only:

- Further connections
- With check unit type 66044



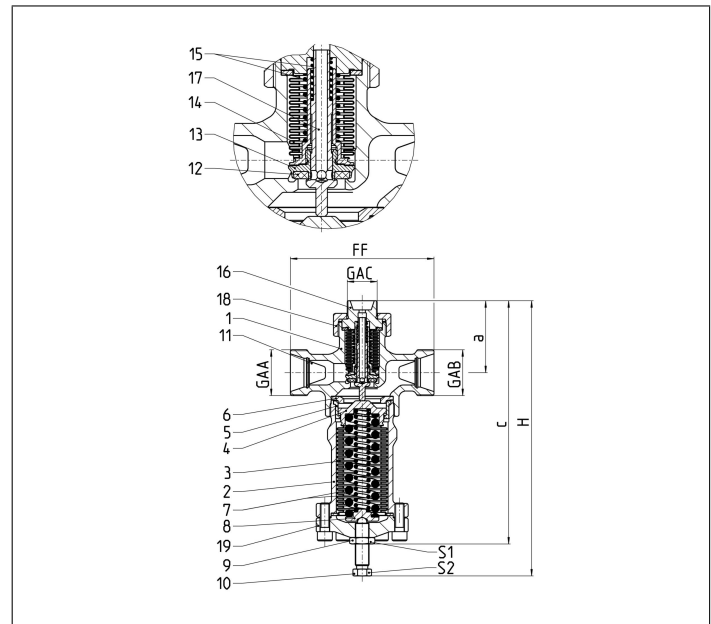
Applications:

Approved for air gases, vapours and cryogenic liquefied gases incl. LNG.

Working temperature: -196°C / -321°F (77K) up to +65°C / 149°F (338K)

Ambient temperature: -40°C / -40°F (233K) up to +65°C / 149°F (338K)

Materials	DIN EN	ASTM
1 Body	1.4308	A 351 CF8
2 Bonnet (cover)	1.4408	A 351 CF8M
3 Bellow	1.4571	A 313 Grade 316Ti
4 Spring plate	1.4571	A 276 Grade 316Ti
5 Lift stopper	1.4571	A 276 Grade 316Ti
6 Lift stopper	1.4571	A 276 Grade 316Ti
7 Spring	1.4310	A 313 Grade 301
8 Spring clamp	1.4301	A 276 Grade 304
9 Locking nut	1.4301	A 276 Grade 304
10 Set point adjuster	1.4301	A 240 Grade 304
11 Strainer (option)	1.4301	A 240 Grade 304
12 Valve seal	PTFE	
13 Bellow disc	1.4571	A 313 Grade 316Ti
14 Bellow	1.4571	A 313 Grade 316Ti
15 Bellow spring	1.4571	A 313 Grade 316Ti
16 Connection fitting	1.4571	A 313 Grade 316Ti
17 Tubular overflow	1.4571	A 276 Grade 316Ti
18 Union nut	1.4301	A 276 Grade 304
19 Flange cover	1.4308	A 351 CF8



Type 4186	Technical data		
Nominal size	DN	20	20
Dimension code	.X.	MM04020	MG12000
Face-to-face dimension	FF	125	125
Height	H	239	239
Thread	G _A	M40x2.0	G 1-1/4
Thread	G _B	M40x2.0	G 1-1/4
Thread	G _C	M26x1.5	G 3/4
Length	a	63	63
Length	c	212	212
Wrench size across flats	S ₁	19	19
Wrench size across flats	S ₂	14	14
Weight	ca. kg	3.2	3.2
Kvs-Value	m ³ /h	3.2	3.2
Cv-Value	gal/min	3.7	3.7

Dimensions in mm.

Essential: Please confirm pressure range and valve set pressure on purchase order