

Self closing globe Valves Type 01028



Self closing Globe Valve, PN16

Bronze body and lever,
gland with FPM O-Rings

Part No. 01028.X.0000

Female thread connection (R) acc. to ISO 7-1 Rp



Applications:

Suitable for non-toxic, non-inflammable fluids, gases and vapours.

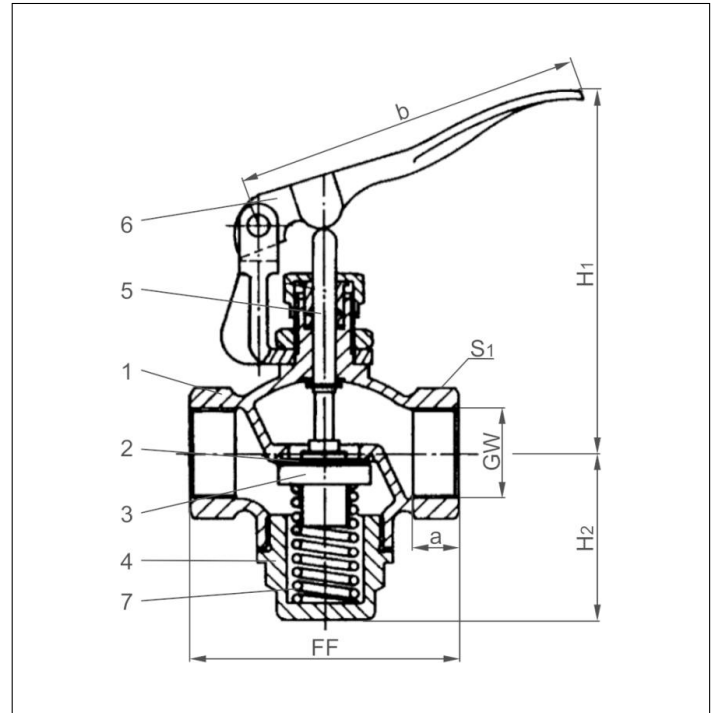
The laws, regulations and standards are to observe for the range of application.

Working temperatures: -10°C / +14°F (263K) up to +165°C / +329°F (438K)

Pay attention to pressure-temperature reduction.

Materials	DIN EN	ASTM
1 Body	CC491K	B 62 UNS C83600
2 Valve seal	FPM (VITON)	
3 Disc	CW612N	B 283 UNS C37700
4 Plug	CW612N	B 283 UNS C37700
5 Stem	1.4104	A 276 Grade 430F
6 Lever	CC491K	B 62 UNS C83600
7 Spring	1.4310	A 313 Grade 301

Essential: When ordering or requesting an offer please indicate flow medium, working pressure and working temperature.



Type 01028	Technical data			
Nominal size	GW	1/2	3/4	1
Dimension code	.X.	0400	0600	1000
Face-to-face dimension	FF	70	80	95
Height	H ₁	120	120	130
Height	H ₂	50	55	60
Socket depth	a	12	14	16
Length	b	123	123	123
Wrench size across flats	S ₁	27	33	41
Weight	ca. kg	0.8	0.9	1.4

Dimensions in mm.