

# Globe Valves

## Type 03050



### Globe Valves, PN16, DIN 86 260-A

Bronze body and topwork  
metal to metal seated

#### Part No. 03050.X.0160

Flanged connection acc. to DIN EN 1092-3 PN16  
face-to-face dimension acc. to DIN EN 558-1, Reihe 1

Available options - on request only:

- Disc with PTFE seal
- Valve with control disc (tapered design) and PTFE seal



### Applications:

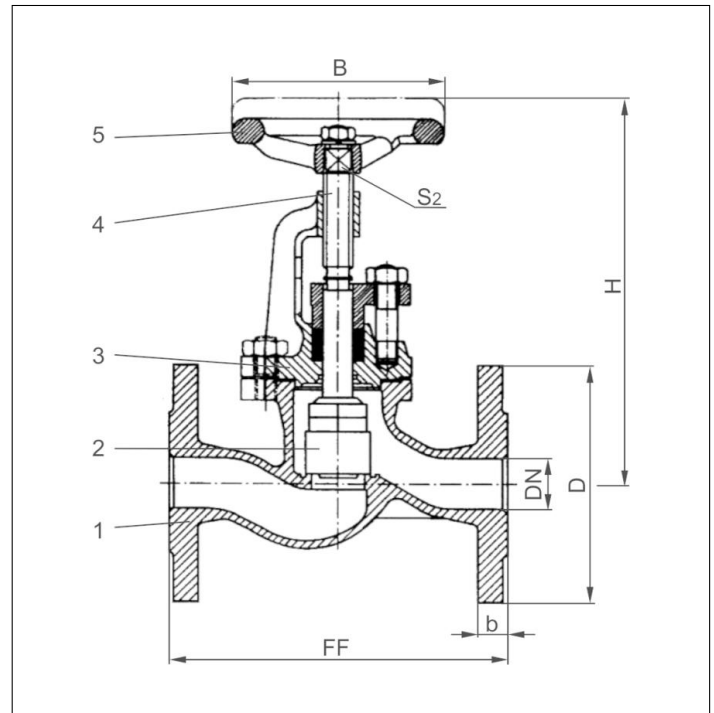
Suitable for non-toxic, non-inflammable fluids, gases and vapours.

The laws, regulations and standards are to observe for the range of application.

Working temperatures: -10°C / +14°F (263K) up to +225°C / +437°F (498K)

Materials	DIN EN	ASTM
1 Body	CC491K	B 62 UNS C83600
2 Disc	CC491K	B 62 UNS C83600
3 Headpiece	CC491K	B 62 UNS C83600
4 Stem	CW710R	no reference
5 Handwheel	cast iron	

**Essential:** When ordering or requesting an offer please indicate flow medium, working pressure and working temperature.



Type 03050	Technical data									
Nominal size	DN	25	32	40	50	65	80	100	125	150
Dimension code	.X.	0250	0320	0400	0500	0650	0800	1000	1250	1500
Face-to-face dimension	FF	160	180	200	230	290	310	350	400	480
Height	H	210	220	250	250	315	335	375	420	460
Flange diameter	D	115	140	150	165	185	200	220	250	285
Width of flange	b	12	14	14	16	16	18	20	20	22
Handwheel-Ø	B	100	125	150	150	185	200	200	225	250
Wrench size across flats	S <sub>2</sub>	9	11	12	12	14	17	17	19	22
Weight	ca. kg	6.0	8.0	10.0	12.0	17.0	23.0	30.0	50.0	65.0

Dimensions in mm.