

# Safety Valves

## Type 06218, Type 06219



Safety Valves, brass,  
type tested TÜV-SV.1090. S/G

Full lift safety valve  
with PTFE O-Ring valve seal,  
open bonnet, with discharge holes  
Inlet: male thread type G (BSPP) acc. to ISO 228/1

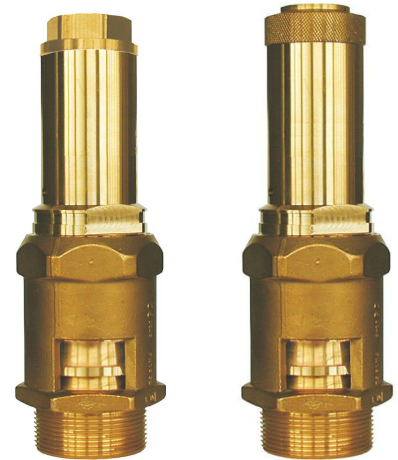
**Part No. 06218.0600.0000**

**Part No. 06219.0600.0000**

with lifting device

Available options - on request only:

- external parts nickel plated

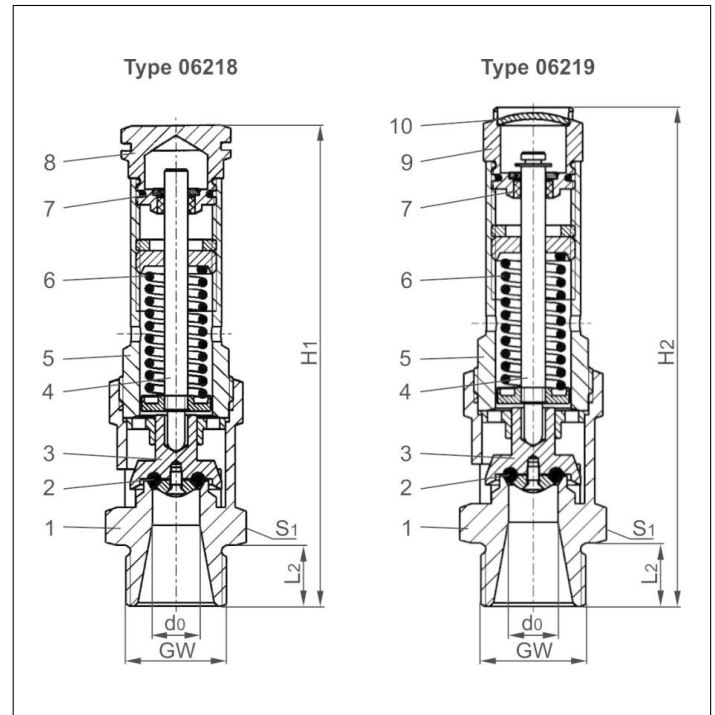


### Applications:

Provided as safety device for protection against excessive pressure in stationary and moveable gas cylinders and pressure vessels. Approved for air and similar gases.

Working temperature: -60°C / -76°F (213K) up to +150°C / +302°F (423K), suitable for horizontal installation

Materials	DIN EN	ASME/ASTM
1 Body	CW617N	EN 12165
2 Valve seal	PTFE O-Ring	
3 Disc	CW614N	EN 12164
4 Stem	CW614N	EN 12164
5 Bonnet	CW614N	EN 12164
6 Spring	1.4571	A 313 Grade 316Ti
7 Stem guide	PTFE	
8 Cap	CW614N	EN 12164
9 Lifting device	CW614N	EN 12164
10 Closing cap	CW507L	B 36 UNS C26800



Type 06218 & 06219	Technical data	
Nominal size	<b>GW</b>	<b>3/4</b>
Orifice	$d_0$	12.5
Set pressure range	bar	3.5-17.0
Height	$H_1$	121.5
Height	$H_2$	126
Length	$L_2$	16
Wrench size across flats	$S_1$	32
Weight	ca. kg	0.40
Coeff. of discharge	$\alpha_w$	0.75

Dimensions in mm.

# Safety Valves

## Type 06218, Type 06219



### Discharge capacities

Calculation of flow rate acc. to AD2000-Merkblatt A2

Medium:

**Air** in m<sup>3</sup>/h at 0°C and 1013.25 mbar

**The capacity indicated below is for a fully opened valve.**

$d_0$  - orifice

$A_0$  - flow area

Set pressure in bar (g)	GW	3/4
	$d_0$ (mm)	12.5
	$A_0$ (mm <sup>2</sup> )	122.7
Medium		
0.5		-
1.0		-
2.0		-
3.0		-
3.5		295
4.0		328
5.0		394
6.0		461
7.0		527
8.0		595
9.0		661
10.0		729
11.0		795
12.0		862
13.0		928
14.0		994
15.0		1061
16.0		1127
17.0		1194
18.0		-
20.0		-
22.0		-