

# Safety Valves

## Type 06602



**Safety Valves, angle type, bronze, type tested TÜV-SV.1080. S/G**

Standard safety valve  
with O-ring valve seal,  
closed bonnet, with lifting device,  
with enlarged outlet  
In- and outlet: female thread type G (BSPP) acc. to ISO 228/1

**Part No. 06602.1204.0000**

Available options - on request only:

- external parts nickel plated

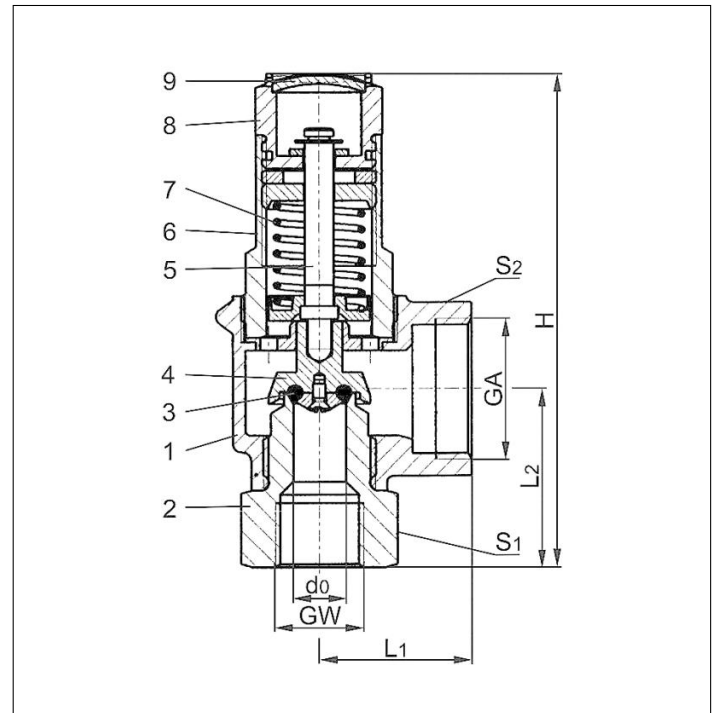


### Applications:

Provided as safety device for protection against excessive pressure in pressure vessels and steam boilers. Approved for non-toxic gases, vapours and for saturated steam.

Working temperature: -10°C / +14°F (263K) up to +180°C / +356°F (453K)

Materials	DIN EN	ASME/ASTM
1 Body	CC491K	B 62 UNS C83600
2 Inlet body	CW614N	B 111 UNS C28000
3 O-ring	EPDM	
4 Disc	CW614N	B 249 UNS C38500
5 Stem	CW614N	B 249 UNS C38500
6 Bonnet	CW614N	B 249 UNS C38500
7 Spring	1.4571	A 313 Grade 316Ti
8 Lifting device	CW614N	B 249 UNS C38500
9 Closing cap	CW507L	B 36 UNS C26800



Type 06602	Technical data	
Nominal size	<b>GW</b>	<b>1/2</b>
Orifice	$d_0$	12.5
Set pressure range	bar	1.2-1.3
Outlet	GA	1
Height	H	117
Length	$L_1$	36
Length	$L_2$	42
Wrench size across flats	$S_1$	32
Wrench size across flats	$S_2$	41
Weight	ca. kg	0.65
Coefficient of discharge	$\alpha_w$	0.74

Dimensions in mm.

# Safety Valves

## Type 06602



### Discharge capacities

Calculation of flow rate acc. to AD2000-Merkblatt A2

Medium:

**Air** in m<sup>3</sup>/h at 0°C and 1013.25 mbar

**Saturated steam** in kg/h

**The capacity indicated below is for a fully opened valve.**

$d_0$  - orifice

$A_0$  - flow area

Set pressure in bar (g)	GW	1/2	1/2
	$d_0$ (mm)	12.5	12.5
	$A_0$ (mm <sup>2</sup> )	122.7	122.7
	Medium	<b>Air</b>	<b>Saturated steam</b>
<b>1.2</b>		144	114
<b>1.3</b>		151	119