

Safety Valves

Type 06603



Safety Valves, angle type, bronze, type tested TÜV-SV.1080. S/G

Standard safety valve
with O-ring valve seal,
closed bonnet, with lifting device,
with enlarged outlet
In- and outlet: female thread type G (BSPP) acc. to ISO 228/1

Part No. 06603.1204.0000

Available options - on request only:

- external parts nickel plated



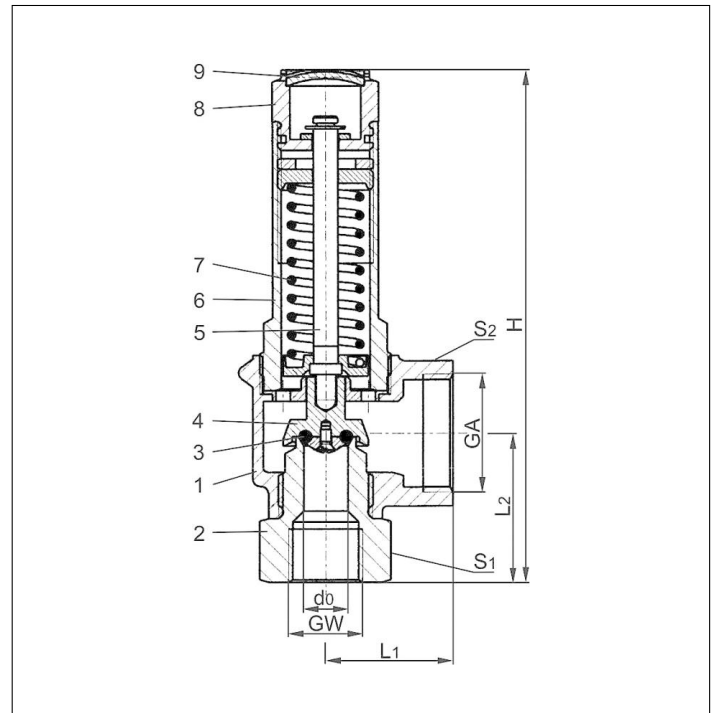
Applications:

Provided as safety device for protection against excessive pressure in pressure vessels and steam boilers. Approved for non-toxic gases, vapours and for saturated steam.

Working temperature: -10°C / +14°F (263K) up to +180°C / +356°F (453K)

For saturated steam use only up to 3 bar and +130°C / +266°F (403K)

Materials	DIN EN	ASME/ASTM
1 Body	CC491K	B 62 UNS C83600
2 Inlet body	CW614N	B 111 UNS C28000
3 O-ring	EPDM	
4 Disc	CW614N	B 249 UNS C38500
5 Stem	CW614N	B 249 UNS C38500
6 Bonnet	CW614N	B 249 UNS C38500
7 Spring	1.4571	A 313 Grade 316Ti
8 Lifting device	CW614N	B 249 UNS C38500
9 Closing cap	CW507L	B 36 UNS C26800



Type 06603	Technical data	
Nominal size	GW	1/2
Orifice	d_0	12.5
Set pressure range	bar	0.2-5
Outlet	GA	1
Height	H	145
Length	L_1	36
Length	L_2	42
Wrench size across flats	S_1	32
Wrench size across flats	S_2	41
Weight	ca. kg	0.7
Coeff. of discharge from 3.0 bar	α_w	0.74

Dimensions in mm.

Safety Valves

Type 06603



Discharge capacities

Calculation of flow rate acc. to AD2000-Merkblatt A2

Medium:

Air in m³/h at 0°C and 1013.25 mbar

Saturated steam in kg/h

The capacity indicated below is for a fully opened valve.

d_0 - orifice

A_0 - flow area

Set pressure in bar (g)	GW	1/2	1/2
	d_0 (mm)	12.5	12.5
	A_0 (mm ²)	122.7	122.7
	Medium	Air	Saturated steam
0.2		51	48
0.5		80	67
1.0		120	95
1.5		160	126
2.0		196	154
2.5		231	181
3.0		267	209
3.5		301	-
4.0		336	-
4.5		370	-
5.0		405	-