

REVISIONS			
REV.	DESCRIPTION	DCR #	DATE
A	NEW RELEASE	6502	

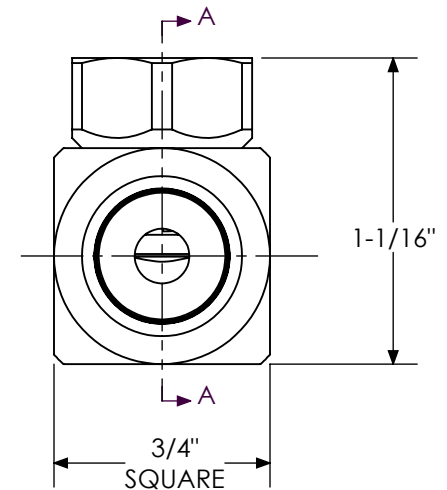
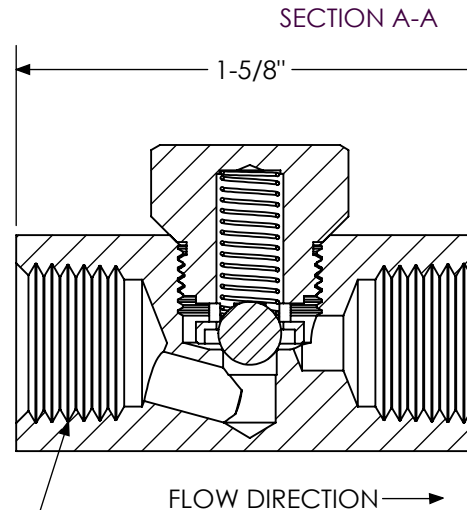
MATERIALS OF CONSTRUCTION

DESCRIPTION	PART NUMBER	MATERIAL
BODY, 1/4" F X F NEEDLE VALVE, 316SS	G-3000-4SSS	316 STAINLESS STEEL, ASTM A479
BONNET, 3/4" CHECK VALVE, 303SS	G-5001SSS-3/4	316 STAINLESS STEEL, ASTM A479
SPRING, SERIES 5000, 2 - 4 PSI	G-5002-2	302 STAINLESS STEEL, ASTM A313
7/32" BALL GRADE 200	BALL04	302 STAINLESS STEEL, ASTM A313

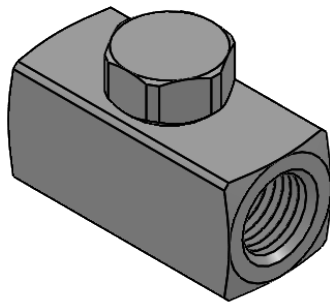
**PRELIMINARY**


SPECIFICATIONS

MAX. OPERATING PRESSURE: 3000 PSI  
 NOMINAL CRACK PRESSURE: 0 - 2.5 PSI  
 LEAKAGE: 0 @ 0.5 PSI BACK PRESSURE  
 FULL OPEN FLOW COEFFICIENT (CV): 0.14  
 LUBRICANT: KRYTOX  
 ENGRAVE: GENERANT, PART NUMBER  
 FLOW ARROW, DATE CODE  
 AND 3000 PSI MAX.



1/4" - 18 NPT.  
 PER ASME B1.20.1  
 BOTH ENDS.



MATL:	AS SPECIFIED				
TOLERANCE SCHEDULE UNLESS OTHERWISE SPECIFIED <hr/> FRACTIONAL: ± 1/64" ANGLES: ± 1/2° XX ± .010 XXX ± .005 CONCENTRICITY: .005 T.I.R. FINISHED SURFACES: 63 Ra BREAK CORNERS/EDGES: .016 MAX					
TITLE:		1/4" F X F 316SS CHECK VALVE			
DWG NUMBER:		5000-4SSS			
DRAWN BY:	DATE:	SCALE:	SIZE:	SHEET:	
HH	2/27/2025	1.5:1	A	1 of 1	

THIS DOCUMENT CONTAINS INFORMATION THAT IS CONFIDENTIAL AND PROPRIETARY TO GENERANT CO., INC.. THIS DOCUMENT IS FURNISHED ON THE UNDERSTANDING THAT THE DOCUMENT AND INFORMATION IT CONTAINS WILL NOT BE COPIED OR DISCLOSED TO OTHERS EXCEPT WITH THE WRITTEN CONSENT OF GENERANT. IT WILL NOT BE USED FOR ANY PURPOSE OTHER THAN CONDUCTING BUSINESS WITH GENERANT, AND WILL BE RETURNED AND ALL FURTHER USE DISCONTINUED UPON REQUEST BY GENERANT.

REVISIONS			
REV.	DESCRIPTION	DCR #	DATE
A	NEW RELEASE	2841	3/17/2015
B	ADDED FLOW COEFFICIENT INFORMATION	5818	6/1/2023
C	CORRECTED BONNET PART NUMBER CORRECTED SPRING PART NUMBER	5856	6/27/2023

**MATERIALS OF CONSTRUCTION**

DESCRIPTION	PART NUMBER	MATERIAL
BODY, 1/4" F X F NEEDLE VALVE	G-3000-4	CDA 360 BRASS, ASTM B16
BONNET, 3/4" BODY CHECK VALVE	G-5005-3/4	CDA 360 BRASS, ASTM B16
SPRING, 1/8" ICV 1 PSI CRACK	ICV-4-125-1	302 SS, ASTM A313,
7/32" BALL GRADE 200	BALL04	302 STAINLESS STEEL, ASTM A313
O'RING SERIES 008 NBR, 90 DUROMETER	008-NBR90	NBR, 90 DUROMETER



**SPECIFICATIONS**

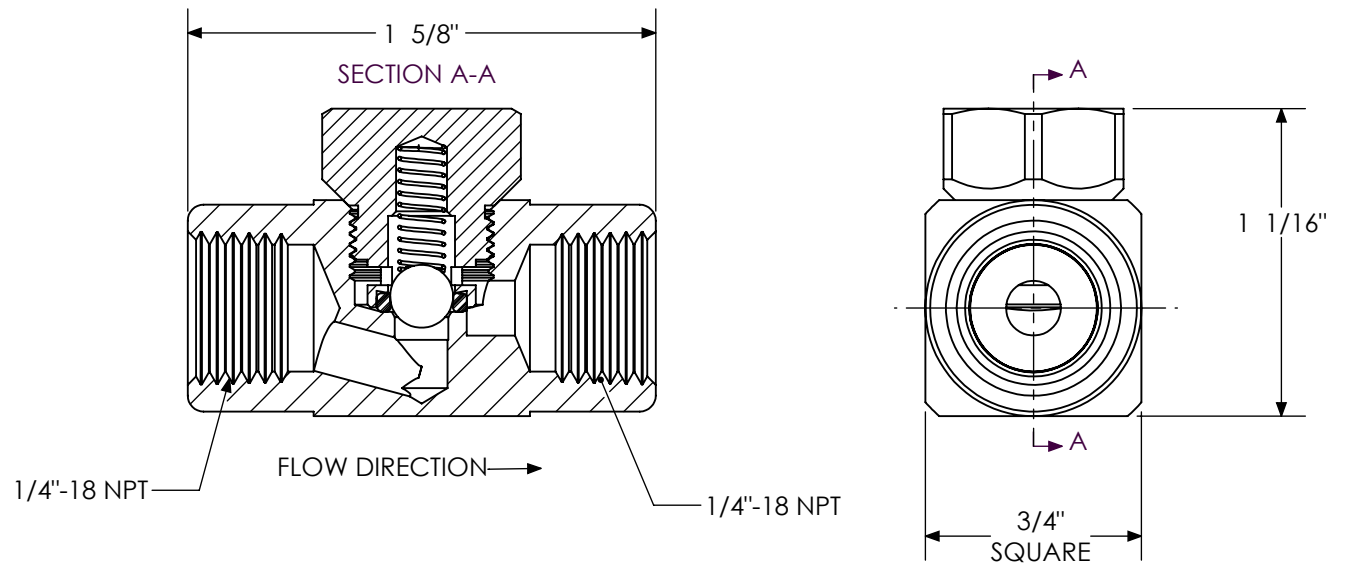
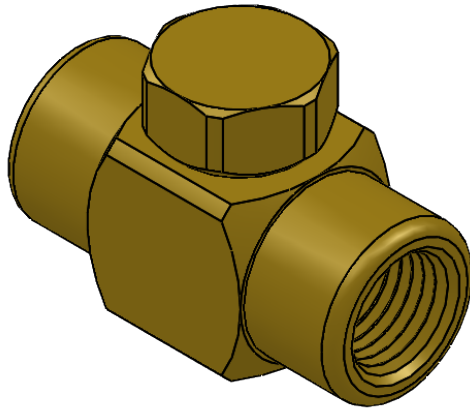
MAX. OPERATING PRESSURE: 3000 PSI

NOMINAL CRACK PRESSURE: 2 PSI

FULL OPEN FLOW COEFFICIENT (CV): 0.14

LUBRICANT: KRYTOX

ENGRAVE: GENERANT, PART NUMBER  
FLOW ARROW, DATE CODE  
AND 3000 PSI MAX.



MATERIAL: AS SPECIFIED					
TOLERANCE SCHEDULE UNLESS OTHERWISE SPECIFIED					
FRACTIONAL: ± 1/64" ANGLES: ± 1/2° XX ± .010 XXX ± .005 CONCENTRICITY: .005 T.I.R. FINISHED SURFACES: 63 Ra BREAK CORNERS/EDGES: .016 MAX		TITLE: 1/4" F X F BRASS CHECK VALVE			
		DWG NUMBER: 5005-4-BB			
DRAWN BY: HH	DATE: 3/4/2015	SCALE: 1.5:1	SIZE: A	SHEET: 1 of 1	

THIS DOCUMENT CONTAINS INFORMATION THAT IS CONFIDENTIAL AND PROPRIETARY TO GENERANT CO., INC.. THIS DOCUMENT IS FURNISHED ON THE UNDERSTANDING THAT THE DOCUMENT AND INFORMATION IT CONTAINS WILL NOT BE COPIED OR DISCLOSED TO OTHERS EXCEPT WITH THE WRITTEN CONSENT OF GENERANT. IT WILL NOT BE USED FOR ANY PURPOSE OTHER THAN CONDUCTING BUSINESS WITH GENERANT, AND WILL BE RETURNED AND ALL FURTHER USE DISCONTINUED UPON REQUEST BY GENERANT.