



June 05, 2018

Attention: James Lesky
GENERANT COMPANY INC
PO BOX 768
1865 ROUTE 23 SOUTH
BUTLER, NJ 07405

Email: jim@generant.com

The design submission, tracking number 2018-03372, originally received on May 24, 2018 was surveyed and accepted for registration as follows:

CRN : 0C09270.2

Accepted on: June 05, 2018

Reg Type: RENEWAL

Expiry Date: June 05, 2028

Drawing No. : STAINLESS STEEL CRV VALVE - RENEWAL

Fitting type: CRYOGENIC RELIEF VALVE (750PSIG@-320/392F)

The registration is conditional on your compliance with the following notes:

This registration covers valves with NPT and Bi-Lok connections only.

As indicated on AB-41 Statutory Declaration form and submitted documentation, the code of construction is SECTION VIII, DIV. 1.

This registration is valid only for fittings fabricated at the location(s) covered by the QC certificate attached to the accepted AB-41 Statutory Declaration form.

This registration is valid only until the indicated expiry date and only if the Manufacturer maintains a valid quality management system approved by an acceptable third-party agency until that date.

Should the approval of the quality management system lapse before the expiry date indicated above, this registration shall become void.

An invoice covering survey and registration fees will be forwarded from our Revenue Accounts.

If you have any question don't hesitate to contact me by phone at (780) 433-0281 ext 3358 or fax (780) 437-7787 or e-mail nakevski@absa.ca.

Sincerely,

NAKEVSKI, ANGEL
DOP Cert. No. D00008370

STATUTORY DECLARATION
Registration of Fittings

In this space, show facsimile of manufacturer's logo or trademark as it will appear on the fitting.
GENERANT
BUTLER, NJ

I, James Lesky, Director of Quality Assurance
(name of applicant) (position title) (must be in a position of authority)
of Generant Company, Inc.
(name of manufacturer)
located at 1865 Rt. 23 South, P.O. Box 768, Butler, NJ 07405 USA
(plant address)

do solemnly declare that the fittings listed hereunder, which are subject to the Safety Codes Act (check one)

- [X] comply with the requirements of ASME B31.3 Process Piping Code which specifies the dimensions, materials of construction, pressure/temperature ratings and identification marking of the fittings, or
[] are not covered by the provisions of a recognized North American standard and are therefore manufactured to comply with
data which identifies the dimensions, materials of construction, pressure/temperature ratings and the basis for such ratings, and the marking of the fittings for identification.

I further declare that the manufacture of these fittings is controlled by a quality control program which has been verified by the following authority, Kiwa Belgium, N.V. as being suitable for the manufacture of these fittings to the stated standard. The fittings covered by this declaration, for which I seek registration, are

Series Stainless Steel Cryogenic Relief Valves
(brief description of fittings)

In support of this application, the following information, calculations and/or test data are attached:
Product Literature, Assembly Drawing and Selection Guide, Design Calculations Statement and Wall Stress Calculations, Drawing of the Body, and ISO 9001:2015 Certificate.

DECLARED before me at Butler in the State of NJ
this 16th day of May, 2018

(print) Nancy Dyak
(a Commissioner of Oaths or Notary Public)

(sign) Nancy Dyak
(a Commissioner of Oaths or Notary Public)

NANCY JEAN DYAK
ID # 2273767
NOTARY PUBLIC
STATE OF NEW JERSEY
My Commission Expires March 31, 2021

(signature of applicant)

For ABSA Office Use Only:

NOTES:

To the best of my knowledge and belief, the application meets the requirements of the Safety Codes Act and CSA Standard B51, Clause 4.2, and is accepted for registration in Category

0C09270.2

Registration Number: JUN 05 2018

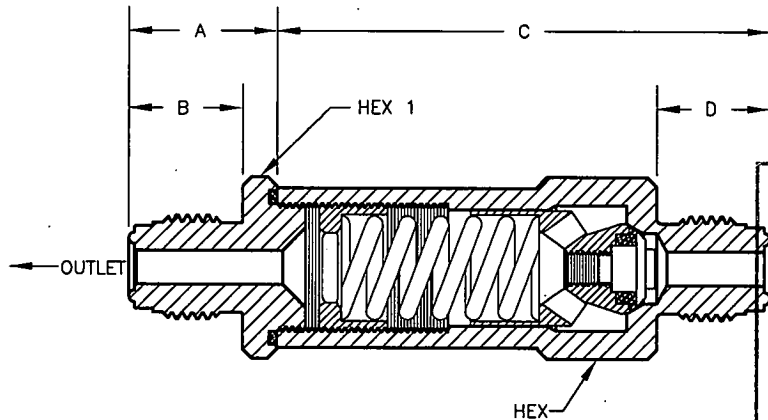
Date Registered: JUN 05 2018 Expiry Date: July 05, 2028

REVISIONS			
ECO	DESCRIPTION	DATE	REV.
DNV	NEW RELEASE	7-16-08	A

OUTLET CONFIG.	OUTLET CONNECTION	HEX 1	A	B	THREAD
CRVD	ATMOSPHERE	7/8"	.750	NA	NA
CRV4	1/4" FEMALE NPT	1" RD.	.380	NA	1/4"-18
CRV6	3/8" FEMALE NPT	1" RD.	.675	NA	3/8"-18
CRV8	1/2" FEMALE NPT	1" RD.	.740	NA	1/2"-14
CRV4V	1/4" VCR	7/8"	.805	.620	9/16"-18
CRV8V	1/2" VCR	1"	.935	.750	7/8"-14
CRV4T	1/4" BI-LOK DUAL FERRULE TUBE	7/8"	.595	.407	7/16"-20
CRV8T	1/2" BI-LOK DUAL FERRULE TUBE	7/8"	.655	.468	3/4"-20

INLET COFIG.	INLET CONNECTION	HEX	C	D	THREAD	ORIFICE
4	1/4" MALE NPT	7/8"	2.650	.585	1/4"-18	.315
8	1/2" MALE NPT	7/8"	2.650	.585	1/2"-14	.315
4V	1/4" VCR	7/8"	2.680	.620	9/16"-18	.182
8V	1/2" VCR	1"	2.812	.750	7/8"-14	.402
4T	1/4" BI-LOK DUAL FERRULE TUBE	7/8"	2.650	.407	7/16"-20	.192
8T	1/2" BI-LOK DUAL FERRULE TUBE	7/8"	2.812	.468	3/4"-20	.378

"See Acceptance Letter for the comments and/or conditions of registration"



HOW TO ORDER

CRV4 - 4V - FS -350

NOMINAL SET PRESSURE
8 TO 750 PSI

ABSA
SAFETY CODES ACT - PROVINCE OF ALBERTA
REGISTRATION OF FITTINGS
ORIFICE **0C09270.2**
REGISTRATION NO. _____
DWG. NO. or CAT. NO. CRV Valve
TYPE OF FITTINGS CRYOGENIC VALVE
JUN 05 2018
INITIALS A.A.
Date _____
ANGEL NAKEVSKI
DESIGN SURVEYOR

SEAL MATERIAL
K - KEL-F
FS - FLOUROSILICON
V - VITON

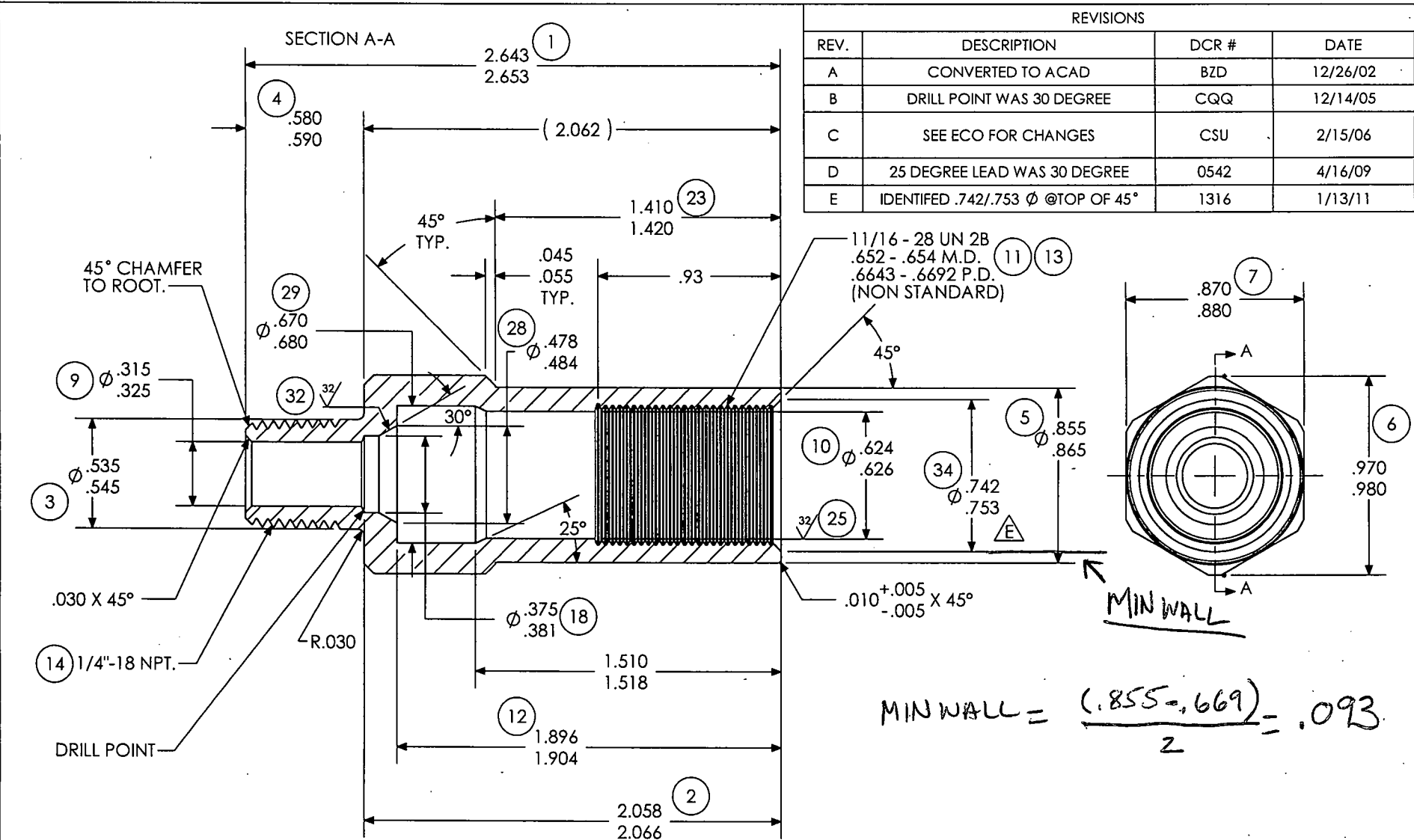
INLET CONFIGURATION
(SEE CHART)

OUTLET CONFIGURATION
(SEE CHART)

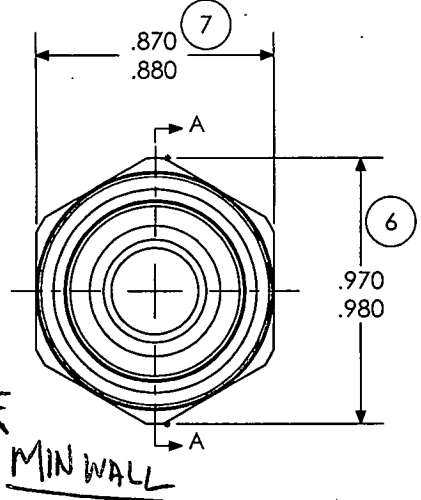
- NOTES:**
- SUPPLIED, CLEANED FOR OXYGEN SERVICE. HEAT SEALED IN POLY BAG WITH THREAD PROTECTOR.
 - OTHER INLET AND OUTLET CONFIGURATIONS AVAILABLE CONSULT FACTORY, (IE: BSPT, BSPP, SAE)
 - ALL INLET CONFIGURATIONS UTILIZE THE SAME INTERNAL DIMENSIONS AND POPPET. SEALS AND SPRING DEPENDS ON SELECTION.

THIS DOCUMENT CONTAINS INFORMATION THAT IS CONFIDENTIAL AND PROPRIETARY TO GENERANT CO. INC.. THIS DOCUMENT IS FURNISHED ON THE UNDERSTANDING THAT THE DOCUMENT AND INFORMATION IT CONTAINS WILL NOT BE COPIED OR DISCLOSED TO OTHERS EXCEPT WITH THE WRITTEN CONSENT OF GENERANT. IT WILL NOT BE USED FOR ANY PURPOSE OTHER THAN CONDUCTING BUSINESS WITH GENERANT, AND WILL BE RETURNED AND ALL FURTHER USE DISCONTINUED UPON REQUEST BY GENERANT.

MAT'L	STAINLESS STEEL	APPROVALS	GENERANT						
TOLERANCE SCHEDULE	UNLESS OTHERWISE SPECIFIED	DRAWN				H.H.			
FRACTIONAL: ± 1/64" ANGLES: ± 1/2" XX ± .010 XXX ± .005 CONCENTRICITY: .005 T.I.R. FINISHED SURFACES: 63 Ra BREAK CORNERS/EDGES: .016 MAX.	PROD.	M.G.				TITLE:			
	ENG.	B.B.				STAINLESS CRV RELIEF VALVE SELECTION GUIDE			
Q.A.	S.K.	SIZE:	A	DATE:	7-15-08	DWG. NO.	CRV-*-*-*	REV.	A
		SCALE:	1:1	SHEET:		1 OF 1			



REVISIONS			
REV.	DESCRIPTION	DCR #	DATE
A	CONVERTED TO ACAD	BZD	12/26/02
B	DRILL POINT WAS 30 DEGREE	CQQ	12/14/05
C	SEE ECO FOR CHANGES	CSU	2/15/06
D	25 DEGREE LEAD WAS 30 DEGREE	0542	4/16/09
E	IDENTIFIED .742/.753 Ø @TOP OF 45°	1316	1/13/11



MIN WALL = $\frac{(.855 - .669)}{2} = .093$

JUN 05 2018

0C09270.2

MATL: 316 SS, ASTM A479
 TOLERANCE SCHEDULE UNLESS OTHERWISE SPECIFIED
 FRACTIONAL: ± 1/64"
 ANGLES: ± 1/2°
 XX ± .010
 XXX ± .005
 CONCENTRICITY: .005 T.I.R.
 FINISHED SURFACES: 63 Ra
 BREAK CORNERS/EDGES: .016 MAX



TITLE: 1/4" CRV BODY, 316SS
 DWG NUMBER: CRV-1-250SS
 DRAWN BY: HH DATE: 1/11/2011 SCALE: 3:2 SIZE: A SHEET: 1 of 1

THIS DOCUMENT CONTAINS INFORMATION THAT IS CONFIDENTIAL AND PROPRIETARY TO GENERANT CO. INC.. THIS DOCUMENT IS FURNISHED ON THE UNDERSTANDING THAT THE DOCUMENT AND INFORMATION IT CONTAINS WILL NOT BE COPIED OR DISCLOSED TO OTHERS EXCEPT WITH THE WRITTEN CONSENT OF GENERANT. IT WILL NOT BE USED FOR ANY PURPOSE OTHER THAN CONDUCTING BUSINESS WITH GENERANT, AND WILL BE RETURNED AND ALL FURTHER USE DISCONTINUED UPON REQUEST BY GENERANT.