

Montréal, 21 avril 2026.

TANYA FRANCIS
TECHNICAL STANDARDS & SAFETY AUTHORITY
345 CARLINGVIEW DRIVE
TORONTO ONTARIO
CANADA M9W 6N9

Fabricant : GENERANT
1865 ROUTE 23 SOUTH
BULTER NJ
U.S.A. 07405

Numéro de dossier : 940609

Numéro(s) de dessin(s) : Scope of Registration EN-FR-240_Rev C Series RVA

Objet : Enregistrement des plans et devis – Confirmation de l'enregistrement

Bonjour,

Nous vous informons que votre demande d'enregistrement de plans et devis a été traitée et que cette conception a été enregistrée sous le numéro d'enregistrement canadien (NEC\CRN) suivant : **0G26430.56**.

Nous portons votre attention sur certaines exigences réglementaires concernant les installations sous pression, ainsi que des codes et normes qui y sont associés :

- Le fabricant doit maintenir un programme de contrôle de la qualité valide pour fabriquer un équipement selon ce NEC;
- Ce numéro d'enregistrement demeure valide tant et aussi longtemps que les paramètres de conception demeurent inchangés. Dans le cas d'accessoires, l'enregistrement est valide pour une durée de 10 ans à partir de la date d'enregistrement. Les documents de conception doivent alors être resoumis pour validation;
- Le fabricant doit nous transmettre une copie de la *Déclaration de conformité du constructeur (Manufacturer's Data Report)* pour chaque appareil ou chaudière fabriqué selon ce NEC dans les 30 jours suivant la signature de cette déclaration;
- Le numéro de dessin enregistré et le numéro de révision doivent être indiqués sur la déclaration de conformité pour les équipements fabriqués selon ce NEC.

Le présent avis d'approbation ne dégage pas le fabricant de ses responsabilités quant à la conception ou à la construction des équipements ou d'accessoires fabriqués selon un NEC.

Salutations distinguées,

Direction des équipements sous pression

Montréal

255, boul. Crémazie Est, 2^{ème} étage
Montréal (Québec) H2M 1L5
Téléphone : 514 873-2546
Sans frais : 1 866 262-2084
enregistrementdesplans@rbq.gouv.qc
www.rbq.gouv.qc.ca

Montréal, le 21 avril 2026.

TANYA FRANCIS
TECHNICAL STANDARDS & SAFETY AUTHORITY
345 CARLINGVIEW DRIVE
TORONTO ONTARIO
CANADA M9W 6N9

Manufacturer : GENERANT
1865 ROUTE 23 SOUTH
BULTER NJ
U.S.A. 07405

OUR REFERENCE : 940609

Design number : Scope of Registration EN-FR-240_Rev C Series RVA

Subject: Design registration confirmation

Hi,

We wish to inform you that your design registration application has been evaluated and that it was registered under the following Canadian Registration Number (CRN): **0G26430.56**.

The following is a reminder of your obligations regarding certain requirements of the regulation respecting pressure vessels, and the referenced codes and standards:

- The manufacturer must maintain a valid quality control program to manufacture equipment according to the CRN.
- The CRN remains valid as long as there are no changes to the design calculations that might affect the pressure boundary. The design registration of fittings expires 10 years after acceptance. It must, therefore, be resubmitted for validation.
- The manufacturer shall submit a copy of the *Manufacturer's Data Report* to us for each boiler or pressure vessel manufactured according to this CRN within 30 days following the signing of this report.
- The drawing number and the revision number registered under this CRN must be indicated on the *Manufacturer's Data Report* for equipment manufactured according to the CRN.

This notice of approval does not relieve the manufacturer of their responsibilities with respect to the design or fabrication of equipment manufactured according to this CRN.

Yours sincerely,

Direction des équipements sous pression

Montréal

255, boul. Crémazie Est, 2^{ième} étage
Montréal (Québec) H2M 1L5
Téléphone : 514 873-2546
Sans frais : 1 866 262-2084
enregistrementdesplans@rbq.gouv.qc
www.rbq.gouv.qc.ca



Technical Standards & Safety Authority
 345 Carlingview Drive
 Toronto, Ontario
 M9W 6N9
 www.tssa.org

(Show facsimile of logo or trademark, as it will appear on the fitting as evidence of certification)

GENERANT

DECLARATION OF CONFORMITY REGISTRATION OF FITTINGS

FOR TSSA OFFICE USE ONLY



Declaration No.: (document nr. as issued by the manufacturer)

Revision:
C

C

SA.SL.RVA001.C.6880 RVA Series Product Literature

Manufacturer (Name and Address)

Generant Company, Inc. 1865 Route 23 South, PO Box 768 Butler, New Jersey 07405

***Table 1 Scope of Fitting Designs**

Item No.	Type / Model	Product Description	Material of Construction	MDMT	Rated Pressure		References: Catalog (pages) or Drawing(s)
					At Ambient Temperature	At Maximum Temperature	
See EN-FR-240 Rev C Series RVA CRN Scope of Registration						at	
						at	
						at	
						at	
						at	

****Table 2 Codes, Standards, Guidelines, and Other Applicable Documents**

Item No.	Title of Code(s), Standard(s), Guideline(s), or Other Applicable Document(s)	Edition / Revision	Item No.	Title of Code(s), Standard(s), Guideline(s), or Other Applicable Document(s)	Edition / Revision
1	ASME BPVC, Section XIII, Rules for Overpressure Protection	2025	4		
2			5		
3			6		

*****Table 3 Quality Program Verification and Manufacturing Sites**

Item No.	Location(s) Plant Name and Address / Site(s)	Quality Program Certificate Number	Expiry Date	Verifying Organization
1	Generant - Butler and Riverdale NJ	ISO 9001		Kiva Belgium NV
2	Generant - Butler and Riverdale NJ	ASME - National Board (NBBI)		NBBI - National Board
3				

A copy of the Quality Certificate from each manufacturing site must be included.

Remarks

(other relevant information)

Category "G", ISO & ASME/NBBI Certs, Tests, Drawings, Design Calcs.

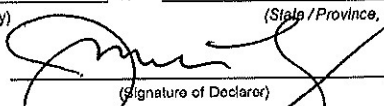
As an official of the manufacturer with authority, and having responsibility for the conformity and regulatory compliance of the fittings, I hereby declare that the information and statements made in this declaration of conformity are true and accurate.

I declare, under our sole responsibility, that the design, construction, certification, and marking of the fitting(s) listed in Table 1*, are subject to a conformity assessment process and quality program that has been verified, as described in Table 3***.

I certify that the fittings (s) listed in Table 1* conform to: the provisions of the acts and regulations of the provinces and territories where the fitting(s) are registered; CSA B51; and the codes, standards, guidelines, or other applicable documents listed in Table 2**.

I further declare that there is a process in place for the retention of this declaration of conformity for not less than 10 years from the issuance of the Canadian Registration Number (CRN).

Signed for and on behalf of Generant Company, Inc. in the Butler of New Jersey
(Manufacturer) (City) (State / Province, Country)

James Lesky Director of Quality Assurance  1/30/26
(Name, please print) (Function or Title) (Signature of Declarer) (Date)



CRN Scope of Registration: Series RVA (Relief Valve ASME)

Series	ASME Design Standard	Size Range	Design Temperature	Set Pressure	Sealing Material	Materials of Construction (Body)
RVA	ASME BPVC Section XIII	1/4" - 1/2" NPT	-320°F to 200°F	20 - 149 PSI	Fluorosilicone	ASTM B16 Brass (UNS C36000)
				150 - 550 PSI	Modified PTFE (25% Carbon Filled)	ASTM A479 316 Stainless Steel (UNS S31600)

Notes:

1. Locations of Manufacturing:

- a) 1865 Route 23 South Butler, NJ 07405, United States
- b) 1 South Corporate Drive Riverdale, NJ 07457

2. CRN applies only to components manufactured under a valid ASME UV Certificate of Authorization.



Generant Company, Inc.
1865 Route 23 South P.O. Box 768 Butler, New Jersey 07405 Phone 973.838.6500 Fax 973.838.4888
www.generant.com

EN-FR-240
Rev C
DCR6883

RVA

SERIES



Description

The Generant Series RVA, Cryogenic Relief Valve is a spring reference over pressure protection device that meets the safety relief valve requirements of ASME BPVC Section XIII. RVA Series valves are designed for use on piping systems or liquid cylinders when an "ASME Coded" relief valve is required. Every RVA Series valve is supplied cleaned and packaged for oxygen service standard. Valves can be ordered factory-preset from 20 - 550 PSIG (1.37 - 37.92 Bar) and are permanently locked. Seat and poppet geometry combined with optimized spring ranges provide consistent, high flow at allowable overpressures.

The RVA is supplied with either a Fluorosilicone (FS) seal for set pressures from 20 - 149 PSI (1.37 - 10.27 Bar) or a Carbon-Filled PTFE (CT) seal for set pressures from 150 - 550 PSI (10.34 - 37.92 Bar).

Features

- **HIGH PERFORMANCE SEAL:** State-of-the-Art Sealing Technology Ensures Durability and Reliability.
- **HIGH FLOW, ASME RATED, & NB CERTIFIED:** ASME UV and NB Stamp Standard, Industry Leading Flow Capacity.
- **LOCKED SETPOINT:** Factory Preset and Permanently Locked.
- **CONFIGURABLE:** Multiple Port Options and Optional Drain Hole.
- **100% FACTORY TESTED:** Crack and Reseat Performance Guaranteed.
- **OXYGEN SERVICE COMPATIBLE:** Cleaned and Packaged for Oxygen Service per CGA G-4.1.
- **COLOR CODED LABELS:** Easily identify relief valve set pressure with an easy-to-read color-coded label.

Technical Data

Nominal Set Pressure Range: 20 - 550 PSIG (1.37 - 37.92 Bar)
 Factory Set Tolerance: Set Pressure 20 - 48 PSI, ± 1.45 PSI
 Set Pressure ≥ 49 PSI, ± 3%
 Note: Tolerances per EN ISO 4126-1

Reseat: >90% of Nominal Set Pressure
 Zero Leakage to 95% of Set Pressure

*Temperature Rating: -320° to 200° F (-196° to 93° C)
 *Based on seal material (see How To Order)

Full Rated Flow @ 110% of Set Pressure
 Unaffected by up to 10% Back Pressure

Rated for Gas Service Only. If used for cryogenic media, valve must be installed with vapor barrier piping upstream (candy cane).

Set Pressure Range		Seal Type	Rated Slope
20	149	FS – Fluorosilicone	0.693
150	550	CT – Modified PTFE	0.764

NOTE: FLOW RATING IS DETERMINED BY MULTIPLYING 110% FLOW PRESSURE IN PSIA BY RATED SLOPE.
 E.G. 300 PSIG SET: ((300 x 110%) + 14.7) PSIA X 0.764 = 263 SCFM Air

Orifice Area: 0.062 in² (40 mm²)
 Derated Kd Value: 0.667

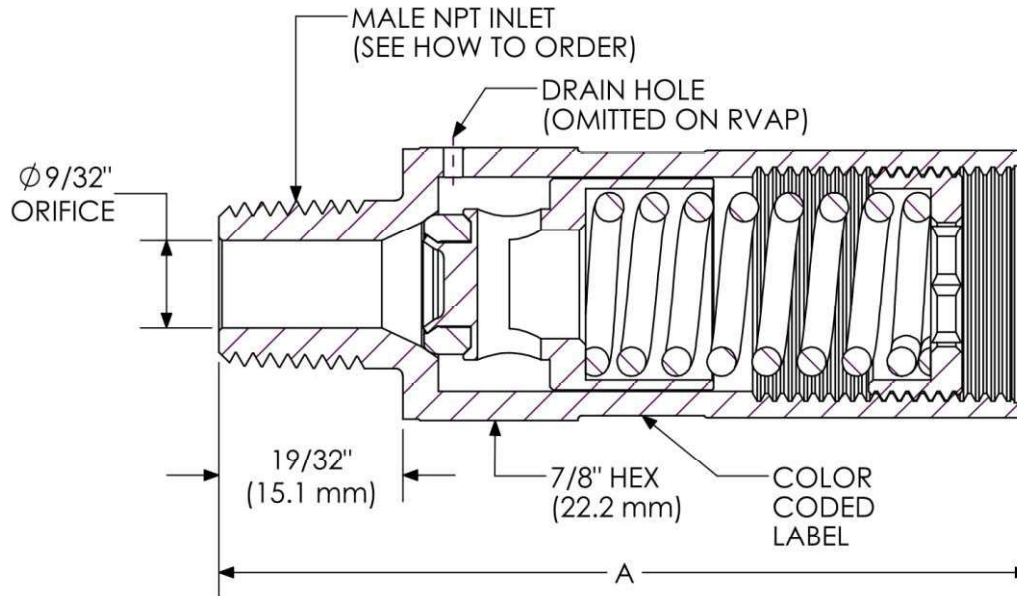
Materials of Construction

Component	Material Grade	
Body & Poppet	Brass, ASTM B16	316 Stainless Steel, ASTM A479
Spring	17-7PH (ASTM A564)	
Spring Retainer	Brass, ASTM B16	Stainless Steel
Seal	Fluorosilicone or Modified PTFE (25% Carbon-Filled)	
Color Coded Identification Label	Film Coated Vinyl	
Lubricant	Krytox ®	



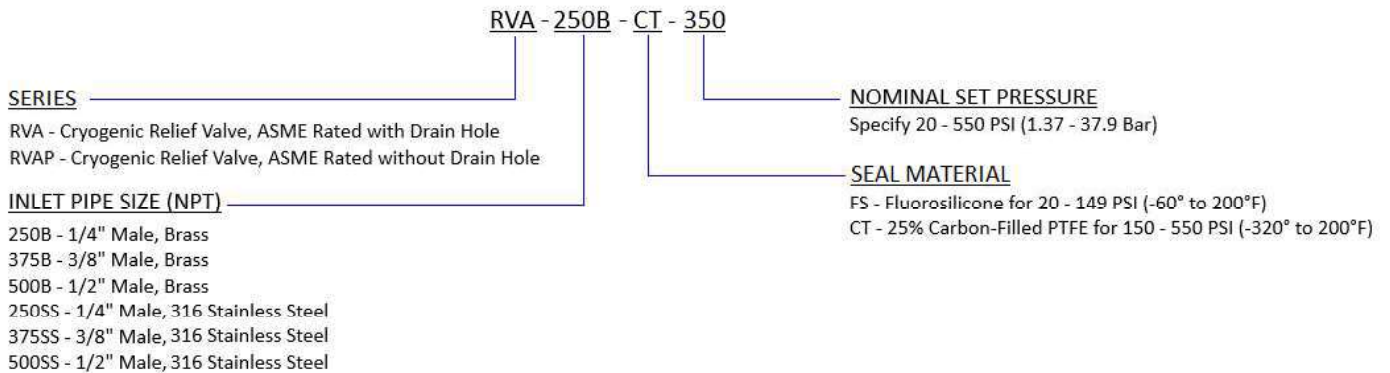
RVA SERIES RELIEF VALVE

Dimensional Information



PIPE SIZE	DIM. "A"
1/4" NPT	2.6" (66.0 mm)
3/8" NPT	2.6" (66.0 mm)
1/2" NPT	2.8" (71.1 mm)

How To Order



Pipe-A-Way options with an integrated external seal are available (sold separately). Not compatible with the Drain Hole (RVA) option.

PROPER COMPONENT SELECTION – When specifying a component, the total system design must be considered to ensure safe and trouble-free performance. Intended component function, materials compatibility, pressure ratings, installation, environment and maintenance are the responsibility of the system designer.



www.generant.com

1865 Route 23 South PO Box 768 Butler, New Jersey 07405 973.838.6500 Fax 973.838.4888



Generant Company, Inc. (GEN)

Riverdale, NJ 07457 United States

This Company Manufactures or Assembles:

Design Name:	RVA Series (150-550 psi)	NBCert #	95059
--------------	--------------------------	----------	-------

Manufacturer/Assembler	Designators	Expiration Date
Manufacturer	UV	06/25/2031

Design Type

[Safety Relief Valve] RVA Series (150-550 psi)
 Capacity Tests: Sec. UV at National Board Testing Lab {unknown test date}
 Method of Establishing Relieving Capacity: Flow Capacity, 4-Device Method
 Certified Value: 0.764 SCFM/PSIA
 Media - Test: Air/Gas; Certified: Gas
 Set Pressure Definition: Start-to-Leak
 Blowdown Characteristics: Fixed
 Flow Area Configuration: Nozzle/Full Lift
 Designed by: Generant Company, Inc. {GEN}

Inlet Size	Outlet Size	Flow Area	Orifice [designator] dia.	Lift	Set Pressure Range	Media	Designator
0.25-0.5 NPS		0.062 in ²	0.281 in	0.049 in	150-550 psi	Air	UV

Design Name:	RVA Series (20-149 psi)	NBCert #	95048
--------------	-------------------------	----------	-------

Manufacturer/Assembler	Designators	Expiration Date
Manufacturer	UV	01/22/2032

Design Type

[Safety Relief Valve] RVA Series (20-149 psi)
 Capacity Tests: Sec. UV at National Board Testing Lab {unknown test date}
 Method of Establishing Relieving Capacity: Flow Capacity, 4-Device Method
 Certified Value: 0.693 SCFM/PSIA
 Media - Test: Air/Gas; Certified: Gas
 Set Pressure Definition: Start-to-Leak
 Blowdown Characteristics: Fixed
 Flow Area Configuration: Nozzle/Full Lift
 Designed by: Generant Company, Inc. {GEN}

Inlet Size	Outlet Size	Flow Area	Orifice [designator] dia.	Lift	Set Pressure Range	Media	Designator
0.25-0.5 NPS		0.062 in ²	0.281 in	0.049 in	20-149 psi	Air	UV