



Technical Standards & Safety Authority
 346 Carlingview Drive
 Toronto, Ontario
 M9W0N9
 www.tssa.org

DECLARATION OF CONFORMITY REGISTRATION OF FITTINGS

(Show facsimile of logo or trademark, as it will appear on the fitting as evidence of certification)

GENERANT



This Document has been digitally signed and approved. The stamp size has been optimized for 11 x 17 documents.

FOR TSSA OFFICE USE ONLY

Technical Standards and Safety Authority
 Boilers and Pressure Vessels Safety Program

REGISTERED

C.R.N.: 0G26430.5

Signed: *William Costa*

Date: February 9, 2026

Expiry Date: Feb 9, 2036

Declaration No.: (document nr. as issued by the manufacturer) SA.SL.RVA001.C.6880 RVA Series Product Literature	Revision: C	C
---	-----------------------	----------

Manufacturer (Name and Address)
Generant Company, Inc. 1865 Route 23 South, PO Box 768 Butler, New Jersey 07405

***Table 1 Scope of Fitting Designs**

Item No.	Type / Model	Product Description	Material of Construction	MDMT	Rated Pressure		References: Catalog (pages) or Drawing(s)
					At Ambient Temperature	At Maximum Temperature	
See EN-FR-240 Rev C Series RVA CRN Scope of Registration							
						at	
						at	
						at	
						at	

****Table 2 Codes, Standards, Guidelines, and Other Applicable Documents**

Item No.	Title of Code(s), Standard(s), Guideline(s), or Other Applicable Document(s)	Edition / Revision	Item No.	Title of Code(s), Standard(s), Guideline(s), or Other Applicable Document(s)	Edition / Revision
1	ASME BPVC, Section XIII, Rules for Overpressure Protection	2025	4		
2			5		
3			6		

*****Table 3 Quality Program Verification and Manufacturing Sites**

Item No.	Location(s) Plant Name and Address / Site(s)	Quality Program Certificate Number	Expiry Date	Verifying Organization
1	Generant - Butler and Riverdale NJ	ISO 9001		Kiwa Belgium NV
2	Generant - Butler and Riverdale NJ	ASME - National Board (NBBI)		NBBI - National Board
3				

A copy of the Quality Certificate from each manufacturing site must be included.

Remarks	(other relevant information) Category "G", ISO & ASME/NBBI Certs, Tests, Drawings, Design Calcs.
---------	--

As an official of the manufacturer with authority, and having responsibility for the conformity and regulatory compliance of the fittings, I hereby declare that the information and statements made in this declaration of conformity are true and accurate.

I declare, under our sole responsibility, that the design, construction, certification, and marking of the fitting(s) listed in Table 1*, are subject to a conformity assessment process and quality program that has been verified, as described in Table 3***.

I certify that the fittings (s) listed in Table 1* conform to: the provisions of the acts and regulations of the provinces and territories where the fitting(s) are registered; CSA B51; and the codes, standards, guidelines, or other applicable documents listed in Table 2**.

I further declare that there is a process in place for the retention of this declaration of conformity for not less than 10 years from the issuance of the Canadian Registration Number (CRN).

Signed for and on behalf of	<u>Generant Company, Inc.</u> <small>(Manufacturer)</small>	in the	<u>Butler</u> <small>(City)</small>	of	<u>New Jersey</u> <small>(State / Province, Country)</small>
	<u>James Lesky</u> <small>(Name, please print)</small>		<u>Director of Quality Assurance</u> <small>(Function or Title)</small>		 <small>(Signature of Declarer)</small>
					<u>1/30/26</u> <small>(Date)</small>



CRN Scope of Registration:
 Series RVA (Relief Valve ASME)

Series	ASME Design Standard	Size Range	Design Temperature	Set Pressure	Sealing Material	Materials of Construction (Body)
RVA	ASME BPVC Section XIII	1/4" - 1/2" NPT	-320°F to 200°F	20 - 149 PSI	Fluorosilicone	ASTM B16 Brass (UNS C36000)
				150 - 550 PSI	Modified PTFE (25% Carbon Filled)	ASTM A479 316 Stainless Steel (UNS S31600)

Notes:

1. Locations of Manufacturing:
 - a) 1865 Route 23 South Butler, NJ 07405, United States
 - b) 1 South Corporate Drive Riverdale, NJ 07457
2. CRN applies only to components manufactured under a valid ASME UV Certificate of Authorization.

THIS IS PART OF CRN
0G26430.5
 Technical Standards and Safety Authority
 Boilers and Pressure Vessels Safety Program

GENERANT

**THIS IS PART OF CRN
0G26430.5**
Technical Standards and Safety Authority
Boilers and Pressure Vessels Safety
Program

RVA

SERIES

RVA SERIES
1/4", 3/8" and 1/2" NPT
20 - 550 PSIG (1.37 – 37.92 Bar)

Description

The Generant Series RVA, Cryogenic Relief Valve is a spring reference over pressure protection device that meets the safety relief valve requirements of ASME BPVC Section XIII. RVA Series valves are designed for use on piping systems or liquid cylinders when an "ASME Coded" relief valve is required. Every RVA Series valve is supplied cleaned and packaged for oxygen service standard. Valves can be ordered factory-preset from 20 - 550 PSIG (1.37 - 37.92 Bar) and are permanently locked. Seat and poppet geometry combined with optimized spring ranges provide consistent, high flow at allowable overpressures.

The RVA is supplied with either a Fluorosilicone (FS) seal for set pressures from 20 - 149 PSI (1.37 - 10.27 Bar) or a Carbon-Filled PTFE (CT) seal for set pressures from 150 - 550 PSI (10.34 - 37.92 Bar).

Features

- **HIGH PERFORMANCE SEAL:** State-of-the-Art Sealing Technology Ensures Durability and Reliability.
- **HIGH FLOW, ASME RATED, & NB CERTIFIED:** ASME UV and NB Stamp Standard, Industry Leading Flow Capacity.
- **LOCKED SETPOINT:** Factory Preset and Permanently Locked.
- **CONFIGURABLE:** Multiple Port Options and Optional Drain Hole.
- **100% FACTORY TESTED:** Crack and Reseat Performance Guaranteed.
- **OXYGEN SERVICE COMPATIBLE:** Cleaned and Packaged for Oxygen Service per CGA G-4.1.
- **COLOR CODED LABELS:** Easily identify relief valve set pressure with an easy-to-read color-coded label.

Technical Data

Nominal Set Pressure Range: 20 - 550 PSIG (1.37 - 37.92 Bar)
 Factory Set Tolerance: Set Pressure 20 - 48 PSI, ± 1.45 PSI
 Set Pressure ≥ 49 PSI, ± 3%
Note: Tolerances per EN ISO 4126-1
 Reseat: >90% of Nominal Set Pressure
 Zero Leakage to 95% of Set Pressure

*Temperature Rating: -320° to 200° F (-196° to 93° C)
*Based on seal material (see How To Order)

Full Rated Flow @ 110% of Set Pressure
 Unaffected by up to 10% Back Pressure
 Rated for Gas Service Only. If used for cryogenic media, valve must be installed with vapor barrier piping upstream (candy cane).

Set Pressure Range		Seal Type	Rated Slope
20	149	FS – Fluorosilicone	0.693
150	550	CT – Modified PTFE	0.764

NOTE: FLOW RATING IS DETERMINED BY MULTIPLYING 110% FLOW PRESSURE IN PSIA BY RATED SLOPE.
 E.G. 300 PSIG SET: ((300 x 110%) + 14.7) PSIA X 0.764 = 263 SCFM Air

Orifice Area: 0.062 in² (40 mm²)
 Derated Kd Value: 0.667

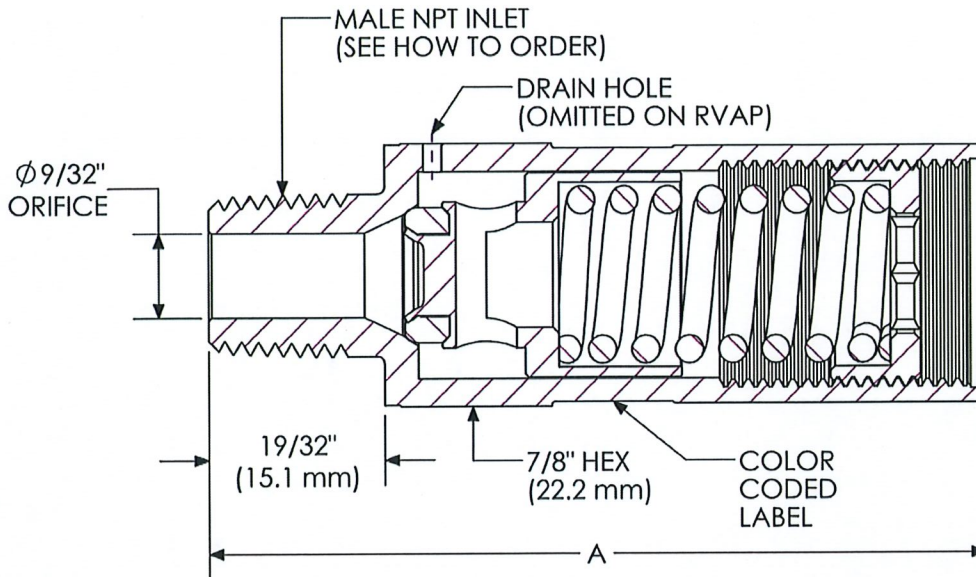
Materials of Construction

Component	Material Grade	
Body & Poppet	Brass, ASTM B16	316 Stainless Steel, ASTM A479
Spring	17-7PH (ASTM A564)	
Spring Retainer	Brass, ASTM B16	Stainless Steel
Seal	Fluorosilicone or Modified PTFE (25% Carbon-Filled)	
Color Coded Identification Label	Film Coated Vinyl	
Lubricant	Krytox®	



RVA SERIES RELIEF VALVE

Dimensional Information



PIPE SIZE	DIM. "A"
1/4" NPT	2.6" (66.0 mm)
3/8" NPT	2.6" (66.0 mm)
1/2" NPT	2.8" (71.1 mm)

How To Order

RVA - 250B - CT - 350

SERIES

RVA - Cryogenic Relief Valve, ASME Rated with Drain Hole
 RVAP - Cryogenic Relief Valve, ASME Rated without Drain Hole

INLET PIPE SIZE (NPT)

250B - 1/4" Male, Brass
 375B - 3/8" Male, Brass
 500B - 1/2" Male, Brass
 250SS - 1/4" Male, 316 Stainless Steel
 375SS - 3/8" Male, 316 Stainless Steel
 500SS - 1/2" Male, 316 Stainless Steel

NOMINAL SET PRESSURE

Specify 20 - 550 PSI (1.37 - 37.9 Bar)

SEAL MATERIAL

FS - Fluorosilicone for 20 - 149 PSI (-60° to 200°F)
 CT - 25% Carbon-Filled PTFE for 150 - 550 PSI (-320° to 200°F)

Pipe-A-Way options with an integrated external seal are available (sold separately). Not compatible with the Drain Hole (RVA) option.

PROPER COMPONENT SELECTION – When specifying a component, the total system design must be considered to ensure safe and trouble-free performance. Intended component function, materials compatibility, pressure ratings, installation, environment and maintenance are the responsibility of the system designer.



www.generant.com

1865 Route 23 South PO Box 768 Butler, New Jersey 07405 973.838.6500 Fax 973.838.4888

NB18 Report

Generant Company, Inc. (GEN)

THIS IS PART OF CRN
0G26430.5
Technical Standards and Safety Authority
Boilers and Pressure Vessels Safety
Program

Riverdale, NJ 07457 United States

This Company Manufactures or Assembles:

Design Name: RVA Series (150-550 psi) NBCert # 95059

Manufacturer/Assembler	Designators	Expiration Date
Manufacturer	UV	06/25/2031

Design Type

[Safety Relief Valve] RVA Series (150-550 psi)
Capacity Tests: Sec. UV at National Board Testing Lab {unknown test date}
Method of Establishing Relieving Capacity: Flow Capacity, 4-Device Method
Certified Value: 0.764 SCFM/PSIA
Media - Test: Air/Gas; Certified: Gas
Set Pressure Definition: Start-to-Leak
Blowdown Characteristics: Fixed
Flow Area Configuration: Nozzle/Full Lift
Designed by: Generant Company, Inc. {GEN}

Inlet Size	Outlet Size	Flow Area	Orifice [designator] dia.	Lift	Set Pressure Range	Media	Designator
0.25-0.5 NPS		0.062 in ²	0.281 in	0.049 in	150-550 psi	Air	UV

Design Name: RVA Series (20-149 psi) NBCert # 95048

Manufacturer/Assembler	Designators	Expiration Date
Manufacturer	UV	01/22/2032

Design Type

[Safety Relief Valve] RVA Series (20-149 psi)
Capacity Tests: Sec. UV at National Board Testing Lab {unknown test date}
Method of Establishing Relieving Capacity: Flow Capacity, 4-Device Method
Certified Value: 0.693 SCFM/PSIA
Media - Test: Air/Gas; Certified: Gas
Set Pressure Definition: Start-to-Leak
Blowdown Characteristics: Fixed
Flow Area Configuration: Nozzle/Full Lift
Designed by: Generant Company, Inc. {GEN}

Inlet Size	Outlet Size	Flow Area	Orifice [designator] dia.	Lift	Set Pressure Range	Media	Designator
0.25-0.5 NPS		0.062 in ²	0.281 in	0.049 in	20-149 psi	Air	UV