

April 08, 2026

Attention: Tanya Francis
TECHNICAL STANDARDS & SAFETY AUTHORITY
345 CARLINGVIEW DRIVE
TORONTO, ON M9W 6N9

The design submission, Tracking Number 2026-01440, Web Portal Number 2026-S1233, originally received on March 09, 2026 was surveyed and accepted for registration as follows:

CRN : 0G26430.52 **Accepted on:** April 08, 2026
Reg Type: NEW DESIGN **Expiry Date:** February 09, 2036
Document No. EN-FR-240_Rev C SERIES RVA CRN SCOPE OF REGISTRATION
Fitting type: Series RVA Relief Valve

Design registered in the name of : GENERANT COMPANY INC

The registration is conditional on your compliance with the following notes:

As indicated on AB-41 Statutory Declaration or AB-351 Declaration of Conformity form and submitted documentation, the code of construction is SECTION XIII.

- It is our understanding that the fitting(s), included as the scope of this submission, that is(are) subject to the Safety Codes Act shall comply with the requirements of the indicated Standard or Code of Construction on the AB-41 Statutory Declaration or AB-351 Declaration of Conformity as supported by the attached data which identifies the dimensions, materials of construction, press./temp. ratings and the basis for such ratings, and the identification marking of the fittings.
- This registration is valid only for fittings fabricated at the location(s) covered by the QC certificate attached to the accepted AB-41 Statutory Declaration or AB-351 Declaration of Conformity form.
- This registration is valid only until the indicated expiry date and only if the Manufacturer maintains a valid quality management system approved by an acceptable third-party agency, and maintains a valid Certification of Authorization Permit if required by the jurisdiction where manufacturing takes place, until that date.
- Should the approval of the quality management system lapse before the expiry date indicated above, this registration shall become void.

An invoice covering survey and registration fees will be forwarded from our Revenue Accounts.

If you have any questions don't hesitate to contact me by phone at (587) 943-8749 or fax (403) 291-4545 or e-mail Gao@absa.ca.

Sincerely,



GAO, XINGWEI (WAYNE), P. Eng.
DOP Cert. No. D00011234

STATUTORY DECLARATION
Registration of Fittings
Single or Multiple Fitting Designs within one Fitting Category

I, James Lesky, Director of Quality Assurance
(name of applicant) (position title) (must be in a position of authority)
of Generant Company, Inc.
(name of manufacturer)
located at 1866 Route 23 South, PO Box 768 Butler, New Jersey 07405
(plant address)

In this space, show facsimile of manufacturer's logo or trademark as it will appear on the fitting.

GENERANT

do solemnly declare that the fittings listed hereunder, which are subject to the Safety Codes Act (select only one)

- comply with the requirements of ASME BPVC, Section XIII which specifies the dimensions, materials of construction, pressure/temperature ratings and identification marking of the fittings, or
(title of recognized North American Standard)
- are not covered by the provisions of a recognized North American standard and are therefore manufactured to comply with _____ as supported by the
(title of code of construction or other applicable document)
attached data which identifies the dimensions, materials of construction, pressure/temperature ratings and the basis for such ratings, and the identification marking of the fittings.

I further declare that the manufacture of these fittings is controlled by a quality control program which has been verified as described in the below Table as being suitable for the manufacturing of these fittings to the stated standard, regulation, code, guideline or other applicable document. The fittings covered by the declaration for which I seek registration are as provided in the Supplementary Sheet(s) attached.

Quality Program Verification and Manufacturing Sites

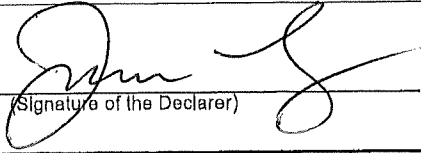
A copy of the Quality Certificate from each manufacturing site must be included

Item #	Product Description, Model or Series	Quality Program	Scope of Certification	Expiry Date	Verifying Organization	Location(s) Plant Name and address
1.	RVA Series	ISO 9001	Dsgn, Prod. Sell Pressure Relief Device	2028-08-11	Klwa Belgium NV	Butler, NJ Riverdale, NJ
2.	RVA Series	ASME	Mfg. press. vessel press relief valves	2028-08-12	NBBI Natl. Board	Butler, NJ Riverdale, NJ

Tracking #: 2026-01440

In support of this application, the following information, calculations and/or test data are attached:

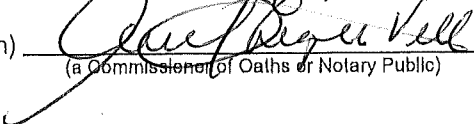
QA Certs, Tests, Drawings, BOMs and design
calculations.


(Signature of the Declarer)

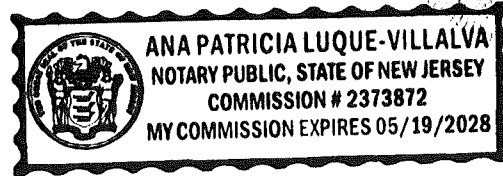
1/30/26
(Date)

DECLARED before me at Butler in the State of NJ
(city) (province, territory, or state)
this 30 day of January, 2026
(Month) (Year)

(print) Ana Patricia Luque-Villalva
(a Commissioner of Oaths or Notary Public)

(sign) 
(a Commissioner of Oaths or Notary Public)

(expiry date (mm/dd/yy))



NJ

Commissioner of Oaths / Notary Public In and for: _____
(province, territory, or state)

For ABSA Office Use Only:

NOTES: _____

To the best of my knowledge and belief, the application meets the requirements of the Safety Codes Act and CSA Standard B51, Part 1, Clause 4.2, and is accepted for registration in Category _____.

CRN: _____

Registered Date: _____

Expiry Date: **February 09, 2036**

Signature: _____
(Signature of the Administrator/SCO)

The information you provide is necessary only for the administration of the programs as required by the Alberta Safety Codes Act and Regulations in the Pressure Equipment Discipline

2026-01440
ABSA
SAFETY CODES ACT - PROVINCE OF ALBERTA
ACCEPTED: 0G26430.52
See acceptance letter for conditions of registration.
Date: 2026-04-08 By: *Wayne Gao*
XINGWEI (WAYNE) GAO, P. Eng.
DOP: D0001234

This stamp and signature have been affixed electronically to this registered design as required by Section 20(1) of the Pressure Equipment Safety Regulation, in accordance with the Electronic Transactions Act.

Table 1 Scope of Fitting Designs**

Item #	Primary Pressure Bearing / Retaining Component	Material of Construction	Port Connections and Size Range	MDMT	Rated Pressure		Pressure Class(es) / Schedule(s)	Design Code(s) of Construction	Reference Catalogue (pages) or Drawing(s)
					At Ambient Temperature	At Maximum Temperature			
		See EN-FR-240_Rev C Series RVA CRN Scope of Registration							

Table 2 Additional Scope Information

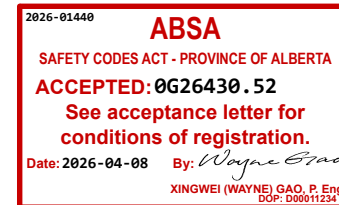
List/Attach Additional Detail and References (Product Configurations, Options, Illustrations, etc.)
Example: Series X Options

** For additional alternatives of Table 1, refer to Form AB-41a, Guide for Completing Form AB-41



CRN Scope of Registration: Series RVA (Relief Valve ASME)

Series	ASME Design Standard	Size Range	Design Temperature	Set Pressure	Sealing Material	Materials of Construction (Body)
RVA	ASME BPVC Section XIII	1/4" - 1/2" NPT	-320°F to 200°F	20 - 149 PSI	Fluorosilicone	ASTM B16 Brass (UNS C36000)
				150 - 550 PSI	Modified PTFE (25% Carbon Filled)	ASTM A479 316 Stainless Steel (UNS S31600)



This stamp and signature have been affixed electronically to this registered design as required by Section 20(1) of the Pressure Equipment Safety Regulation, in accordance with the Electronic Transactions Act.

RVA SERIES
1/4", 3/8" and 1/2" NPT
20 - 550 PSIG (1.37 – 37.92 Bar)

RVA

SERIES

Description

The Generant Series RVA, Cryogenic Relief Valve is a spring reference over pressure protection device that meets the safety relief valve requirements of ASME BPVC Section XIII. RVA Series valves are designed for use on piping systems or liquid cylinders when an "ASME Coded" relief valve is required. Every RVA Series valve is supplied cleaned and packaged for oxygen service standard. Valves can be ordered factory-preset from 20 - 550 PSIG (1.37 - 37.92 Bar) and are permanently locked. Seat and poppet geometry combined with optimized spring ranges provide consistent, high flow at allowable overpressures.

The RVA is supplied with either a Fluorosilicone (FS) seal for set pressures from 20 - 149 PSI (1.37 - 10.27 Bar) or a Carbon-Filled PTFE (CT) seal for set pressures from 150 - 550 PSI (10.34 - 37.92 Bar).

Features

- **HIGH PERFORMANCE SEAL:** State-of-the-Art Sealing Technology Ensures Durability and Reliability.
- **HIGH FLOW, ASME RATED, & NB CERTIFIED:** ASME UV and NB Stamp Standard, Industry Leading Flow Capacity.
- **LOCKED SETPOINT:** Factory Preset and Permanently Locked.
- **CONFIGURABLE:** Multiple Port Options and Optional Drain Hole.
- **100% FACTORY TESTED:** Crack and Reseat Performance Guaranteed.
- **OXYGEN SERVICE COMPATIBLE:** Cleaned and Packaged for Oxygen Service per CGA G-4.1.
- **COLOR CODED LABELS:** Easily identify relief valve set pressure with an easy-to-read color-coded label.



Technical Data

Nominal Set Pressure Range: 20 - 550 PSIG (1.37 - 37.92 Bar)

Factory Set Tolerance: Set Pressure 20 - 48 PSI, ± 1.45 PSI

Set Pressure ≥ 49 PSI, ± 3%

Note: Tolerances per EN ISO 4126-1

Reseat: >90% of Nominal Set Pressure

Zero Leakage to 95% of Set Pressure

*Temperature Rating: -320° to 200° F (-196° to 93° C)

*Based on seal material (see How To Order)

Full Rated Flow @ 110% of Set Pressure

Unaffected by up to 10% Back Pressure

Rated for Gas Service Only. If used for cryogenic media, valve must be installed with vapor barrier piping upstream (candy cane).

Set Pressure Range		Seal Type	Rated Slope
20	149	FS – Fluorosilicone	0.693
150	550	CT – Modified PTFE	0.764

NOTE: FLOW RATING IS DETERMINED BY MULTIPLYING 110% FLOW PRESSURE IN PSIA BY RATED SLOPE.
 E.G. 300 PSIG SET: ((300 x 110%) + 14.7) PSIA X 0.764 = 263 SCFM Air

Orifice Area: 0.062 in² (40 mm²)

Derated Kd Value: 0.667

Materials of Construction

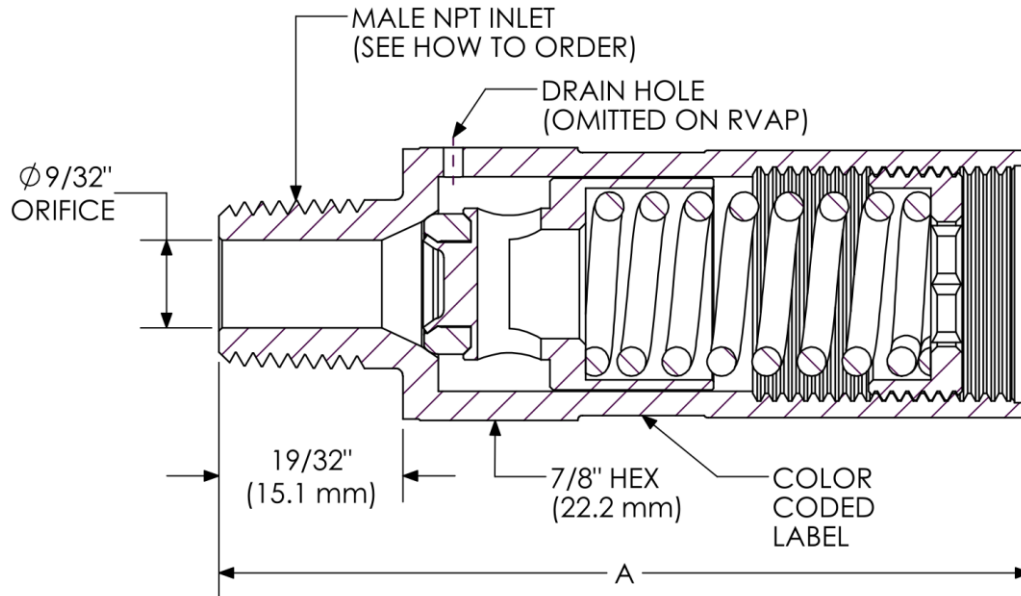
Component	Material Grade	
Body & Poppet	Brass, ASTM B16	316 Stainless Steel, ASTM A479
Spring	17-7PH (ASTM A564)	
Spring Retainer	Brass, ASTM B16	Stainless Steel
Seal	Fluorosilicone or Modified PTFE (25% Carbon-Filled)	
Color Coded Identification Label	Film Coated Vinyl	
Lubricant	Krytox ®	



2026-01440
ABSA
 SAFETY CODES ACT - PROVINCE OF ALBERTA
ACCEPTED: 0G26430.52
 See acceptance letter for conditions of registration.
 Date: 2026-04-08 By: *Wayne Gao*
 XINGWEI (WAYNE) GAO, P. Eng.
 ID#P: 09091234
 This stamp and signature have been affixed electronically to this registered design as required by Section 20(1) of the Pressure Equipment Safety Regulation, in accordance with the Electronic Transactions Act.

RVA SERIES RELIEF VALVE

Dimensional Information



PIPE SIZE	DIM. "A"
1/4" NPT	2.6" (66.0 mm)
3/8" NPT	2.6" (66.0 mm)
1/2" NPT	2.8" (71.1 mm)

How To Order

RVA - 250B - CT - 350

SERIES

RVA - Cryogenic Relief Valve, ASME Rated with Drain Hole
RVAP - Cryogenic Relief Valve, ASME Rated without Drain Hole

INLET PIPE SIZE (NPT)

250B - 1/4" Male, Brass
375B - 3/8" Male, Brass
500B - 1/2" Male, Brass
250SS - 1/4" Male, 316 Stainless Steel
375SS - 3/8" Male, 316 Stainless Steel
500SS - 1/2" Male, 316 Stainless Steel

NOMINAL SET PRESSURE

Specify 20 - 550 PSI (1.37 - 37.9 Bar)

SEAL MATERIAL

FS - Fluorosilicone for 20 - 149 PSI (-60° to 200°F)
CT - 25% Carbon-Filled PTFE for 150 - 550 PSI (-320° to 200°F)

Pipe-A-Way options with an integrated external seal are available (sold separately). Not compatible with the Drain Hole (RVA) option.

PROPER COMPONENT SELECTION – When specifying a component, the total system design must be considered to ensure safe and trouble-free performance. Intended component function, materials compatibility, pressure ratings, installation, environment and maintenance are the responsibility of the system designer.

GENERANT

www.generant.com

1865 Route 23 South PO Box 768 Butler, New Jersey 07405 973.838.6500 Fax 973.838.4888